

SR-PP4

PROTECTION PAD



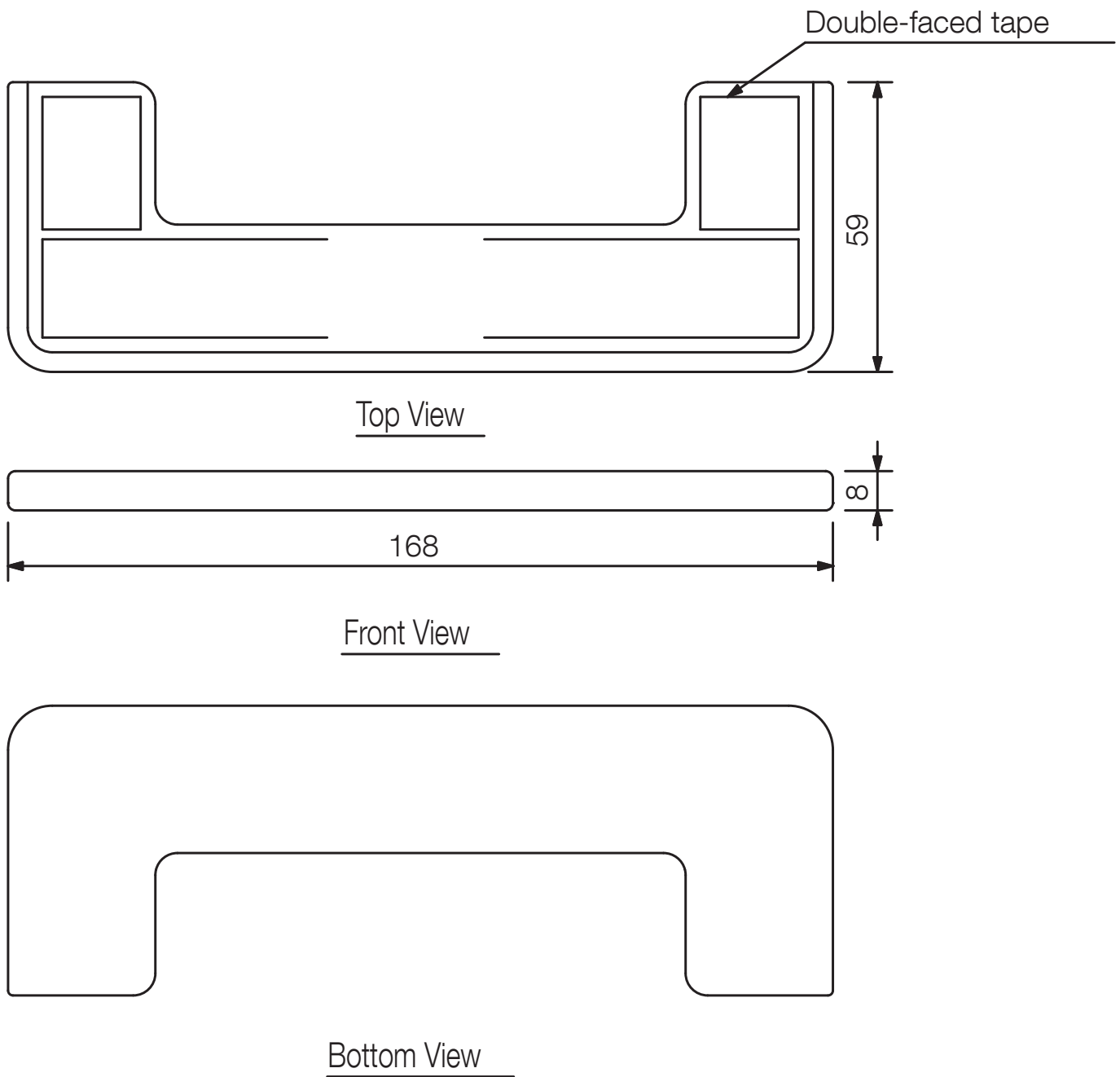
The SR-PP4 Protection Pad helps reduce the chance of injury when the speaker is installed at head height.

Key features

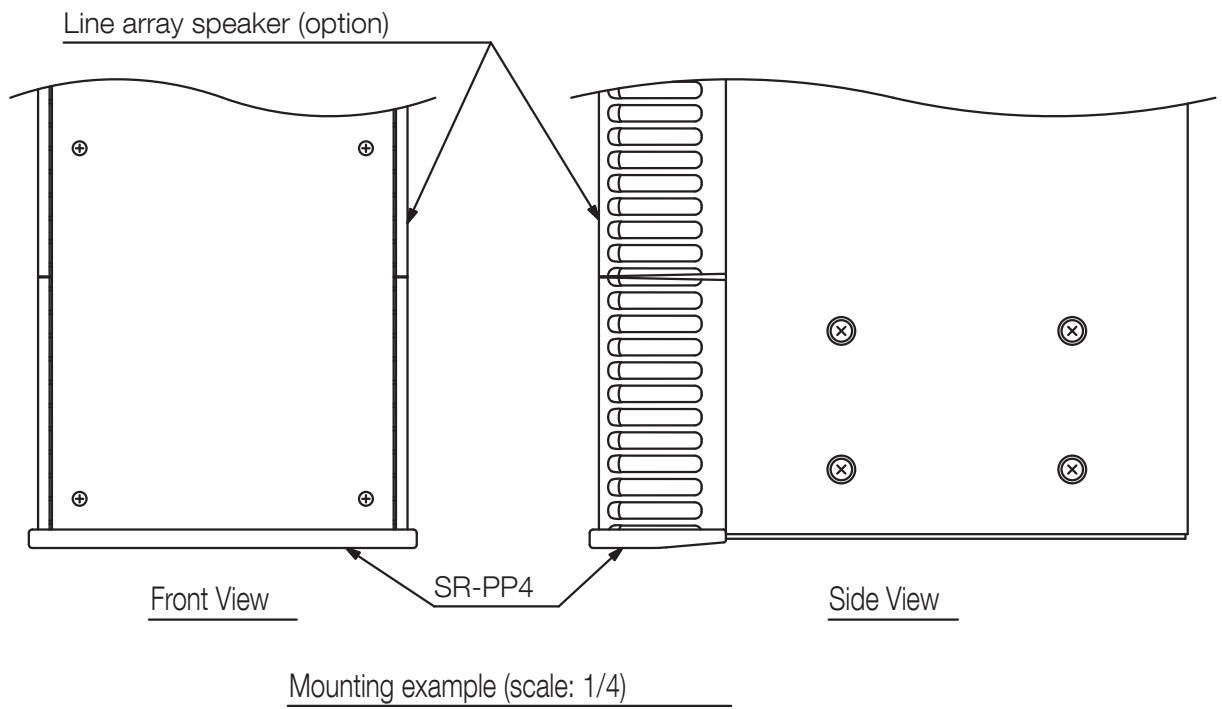
Specifications

Finish	Synthetic rubber, black
Dimensions	168 (W) x 8 (H) x 59 (D) mm
Weight	40 g

Dimensions



Dimensions



UNIT:mm

SCALE:1/2

A&E specifications

Protective edge to prevent head injuries in slim line array installed at head height speaker SR-S4L or SR-S4S.