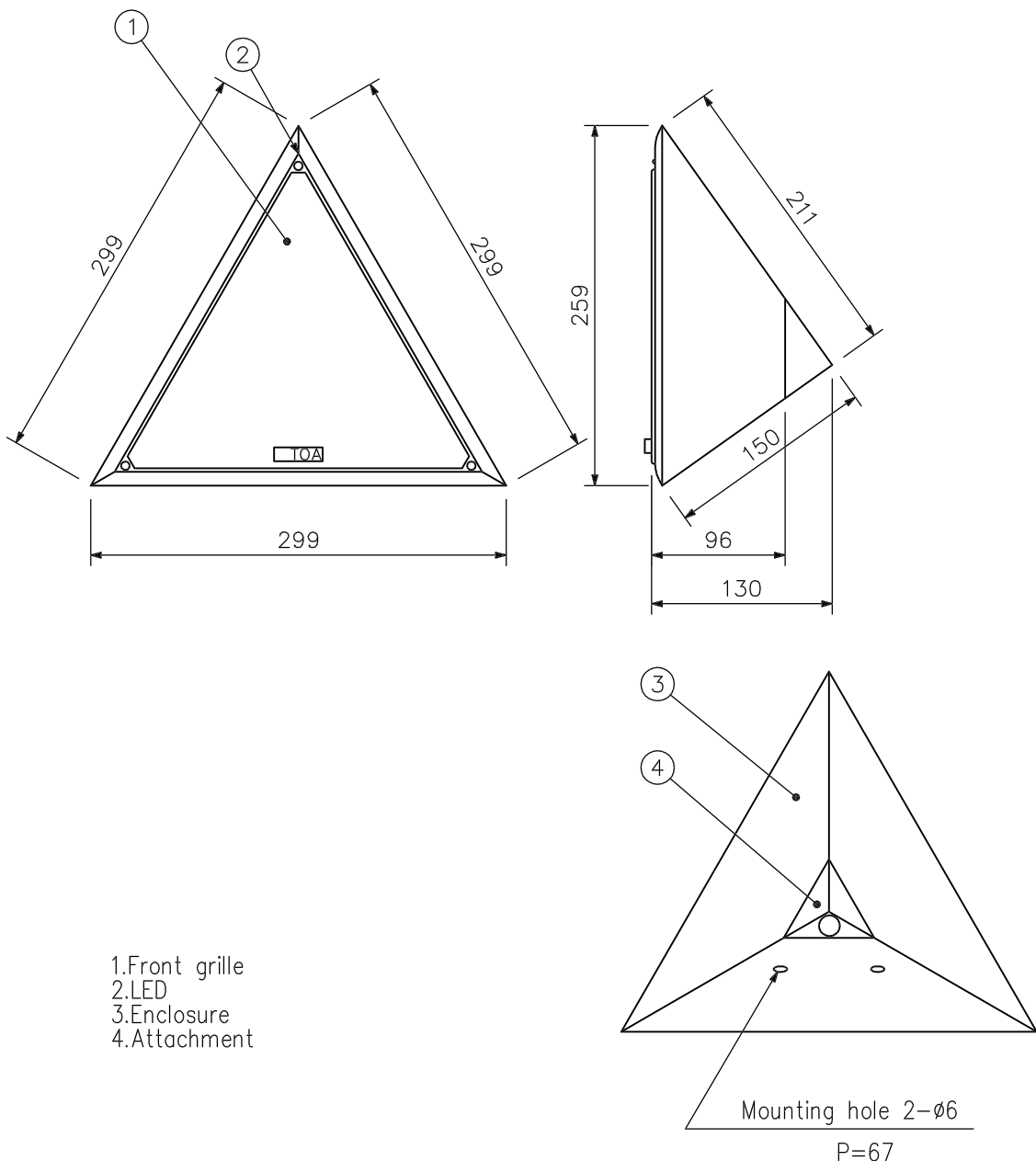


■ SPECIFICATIONS

Enclosure	Sealed type
Speaker	10cm(4") full-range cone
Power handling capacity	Continuous Pink Noise : 15W RMS of bandlimited pink noise (50Hz ~ 20kHz)/Continuous Program : 45W
Impedance	8 ohms
Sensitivity	88dB (1W,1m)
Frequency response	100Hz ~ 18kHz
Dimensions(W×H×D)	299×211×150mm
Weight	1.5kg
Color	Black

■ APPEARANCE



UNIT:mm SCALE:1/5