

### DESCRIPTION

The RS-180 can call and converse with the registered master stations.  
It has a indicator lamp and control output channel, and utilizes a 2-core shielded cable.

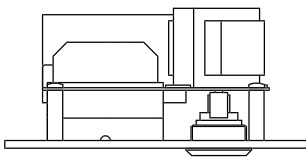
### SPECIFICATIONS

Rated Input	1 W
Rated Impedance	625 Ω (1 W/25 V)
Internal Speaker	4 cm cone-type
Control Output	Open collector output: 24 VDC, 30 mA (The open collector output is kept turned on till the conversation is finished after the call button was pressed.)
Operating Temperature	-10°C to +50°C (Temperature range not to freeze the speaker and switch)
Finish	Panel: Stainless steel (SUS304), hairline Call button: Metal Printed circuit board: Weather-resistant coating
Dimensions	120 (W) × 120 (H) × 58.5 (D) mm
Weight	570 g
Accessory	Box mounting screw (No.6-32UNC × 8) .....4, Box mounting screw (M4 × 25) .....4

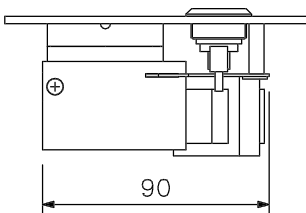
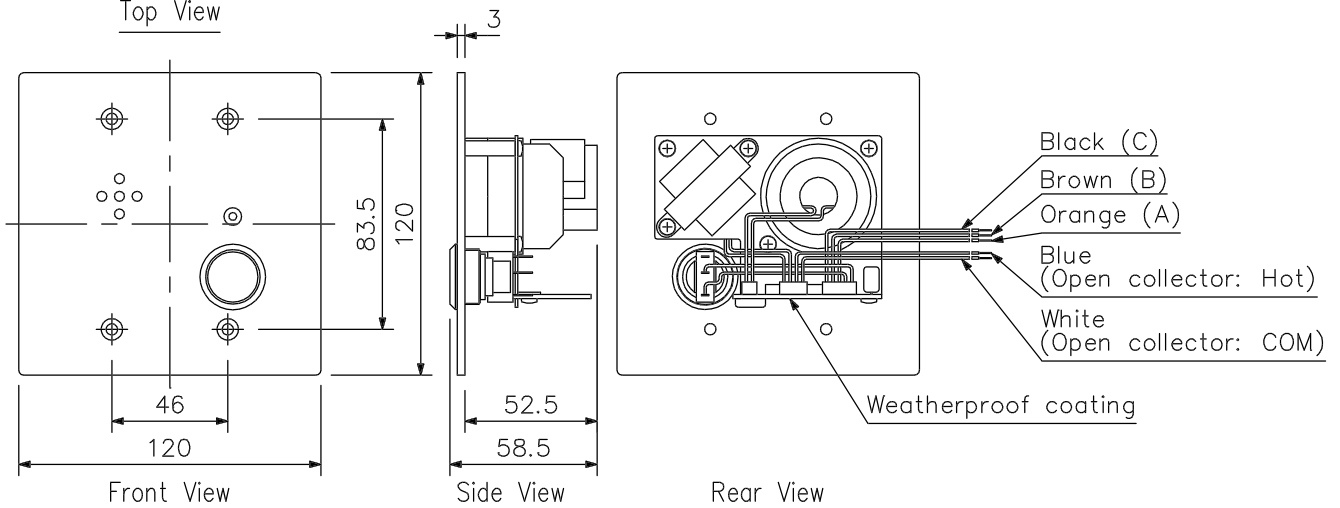
Maximum cable distance

Cable Type	AWG24 (φ0.52 mm)	AWG22 (φ0.65 mm)	AWG20 (φ0.82 mm)
Distance	0.5 km	0.8 km	1.3 km

### APPEARANCE



Top View



Bottom View

UNIT:mm SCALE:1/3