

### DESCRIPTION

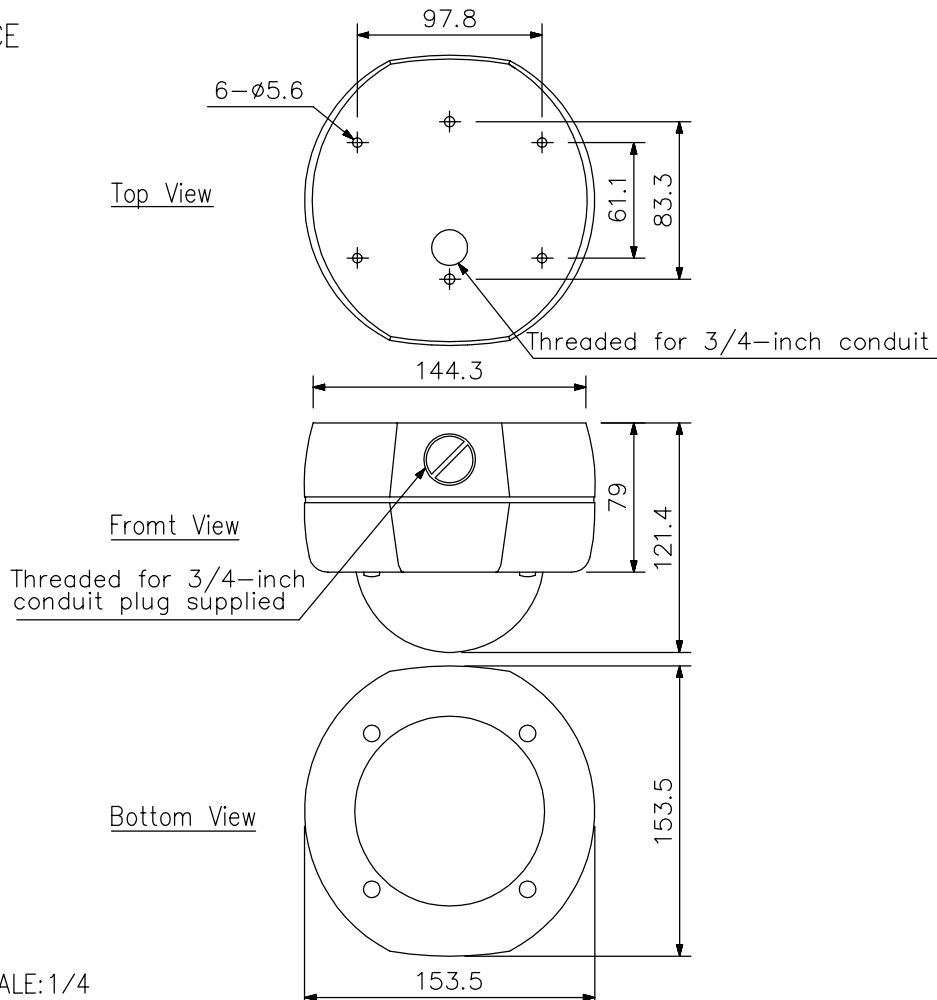
The Q-CV24VP-3 is a 24 V AC or 12 V DC-operated, high-resolution color camera in cast aluminum housing and polycarbonate dome.

A built-in 2X auto-iris varifocal lens permits free manual adjustment of angles of view.

### SPECIFICATIONS

Power Source	24 V AC, 50/60 Hz or 12 V DC
Power Consumption	2 W
Image Device	1/4 type IT-CCD
Number of Effective Pixels	768 (H) X 494 (V) (380,000 pixels)
Scanning System	2:1 interlace
Scanning Frequency	Horizontal: 15.734 kHz, Vertical: 59.94 Hz
Monitor Output	VBS 1.0 V(p-p) 75 Ω, RCA pin jack
Video Output	VBS 1.0 V(p-p) 75 Ω, BNC-R jack
Synchronizing System	Internal synchronization
Resolution	Horizontal: 480 lines (at center), Vertical: 350 lines (at center)
S/N Ratio	48 dB
Minimum Illumination	4 lx (50 IRE), 2 lx (20 IRE)
White Balance Mode	ATW
Focal Length	f = 2.8 mm - 5.8 mm
Maximum Aperture Ratio	1:1.4 - 1.8
Iris	Auto-iris
Angle of View	Horizontal: 76.7° - 38.3°, Vertical: 56.8° - 28.7°
Control Switch	ON/OFF (used for focus adjustment)
Other Function	Backlight compensation, Shutter speed (1/60, 1/100), Iris control
Operating Temperature	-10°C to +50°C
Operating Humidity	Under 90%RH (no condensation)
Applications	Indoors and outdoors
Dust/Water Protection	IP65
Finish	Case: Cast aluminum, white Dome cover: Polycarbonate resin
Dimensions	153.5 (W) X 121.4 (H) X 153.5 (D) mm
Weight	1.5 kg
Accessory	6-3/8X3/4-inch mounting screw*2, Special allen wrench*1, Base gasket*1

### APPEARANCE



UNIT: mm SCALE: 1/4