

DESCRIPTION

The EV-350R Digital Announcing Machine features a maintenance-free design, and permits both recording and playback using the memory card. It can be mounted in an EIA Standard equipment rack.

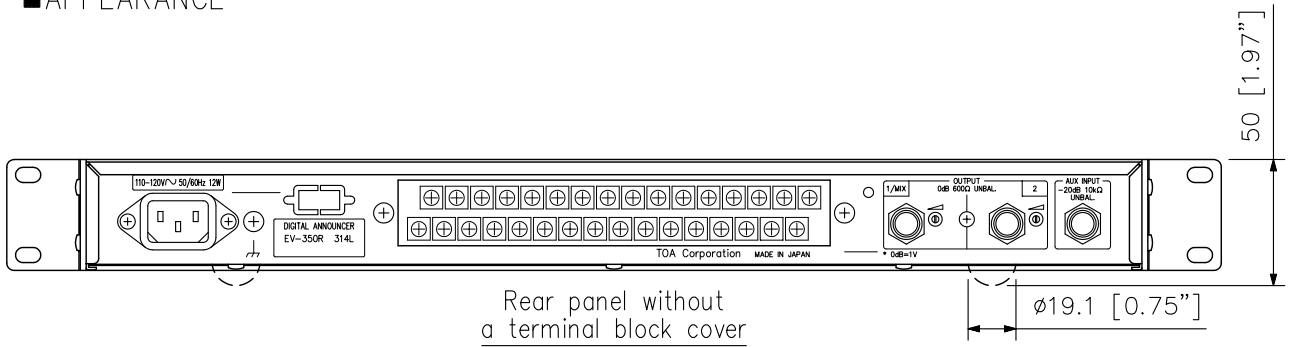
SPECIFICATIONS

* 0 dB = 1 V

Power Source	110 - 120 V AC, 50/60 Hz or 24 V DC 0.4 A
Power Consumption	12 W
Output	Outputs 1,2: 0 dB*, 600 Ω, unbalanced, phone jack, M3.5 screw terminal, Headphone output: 0 dB*, 100 Ω, unbalanced, phone jack
Input	Microphone: -55 dB* 600 Ω, unbalanced, phone jack AUX: -20 dB*, 10 kΩ, unbalanced, phone jack/RCA pin jack
Frequency Response	20 Hz - 20 kHz ±3 dB (44.1 kHz sampling) 20 Hz - 14 kHz ±3 dB (32 kHz sampling) 50 Hz - 20 kHz ±3 dB (44.1 kHz sampling, IT-450 mounted) 50 Hz - 14 kHz ±3 dB (32 kHz sampling, IT-450 mounted)
Distortion	0.3 % or less (44.1 kHz, recording method: Extremely High)
No. of Mountable Memory Card	2 (Ports A-B) (option)
No. of Recording Sentence	When 1 card is installed: 128 or 512 (changeable) When 2 cards are installed: 256 or 1024 (changeable) 1 emergency sentence, other than the above sentences, can be recorded. When recorded by a control input: 8 (direct mode) or 256 (binary mode) (changeable)
Recording Sound Quality	Sampling frequency: 32 kHz, 44.1 kHz Recording grade: Long (bit rate: 64 kbps), Normal (bit rate: 96 kbps), High (bit rate: 128 kbps), Extremely High (bit rate: 192 kbps)
Recording Time (When recording 128 sentences)	EV-CF128M Long: 4 hour 26 min 46 s, Normal: 2 hour 57 min 50 s, High: 2 hour 13 min 23 s, Extremely High: 1 hour 28 min 55 s
Playback Mode	Single- and dual-source playback (changeable)
No. of Playback Program	Direct control: 8 programs or Binary control: 256 programs 1 emergency message takes precedence over the above programs and is played back.
Control Input	Activations 1-8, playback, pause 1, pause 2, emergency, recording, erasure/clear: No-voltage make contact input, pulse make length: 50 ms or more, open voltage: 30 V DC, short-circuit current: 10 mA, M3.5 screw terminal RS-232C terminal: D-sub connector (9 pins, male)
Control Output	Shorting outputs 1,2, Error: M3.5 screw terminal, contact capacity: 30 V DC, 0.5 A
Operating Display	LCD with backlight (16 characters × 2)
Operating Temperature	0 °C to +50 °C (32 °F to 122 °F)
Operating Humidity	90 %RH or less (no condensation)
Finish	Panel: Aluminum, black, 30 % gloss, paint Case: Surface treated steel plate, black, 30 % gloss
Dimensions	482 (W) × 44 (H) × 315 (D) mm (18.98" × 1.73" × 12.4")
Weight	4 kg (8.82 lb)
Accessory	Power cord.....1, Unbalanced-phone plug cord (2 m (6.56 ft)).....2, Rubber foot.....4, Rack mounting screw.....4, Rack mounting washer.....4, Rack mounting bracket (pre-fixed to the unit).....2
Option	Memory card: EV-CF128M

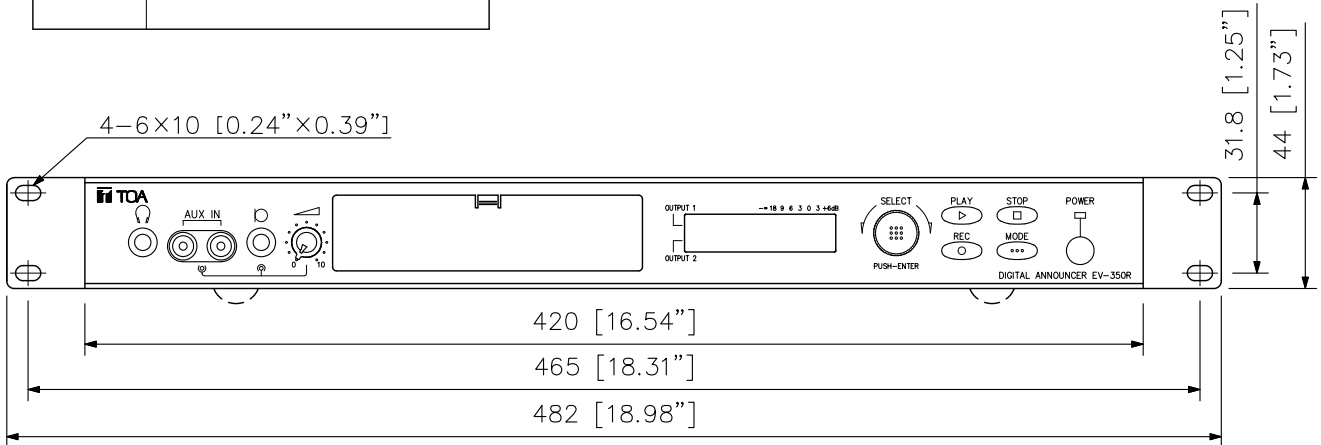
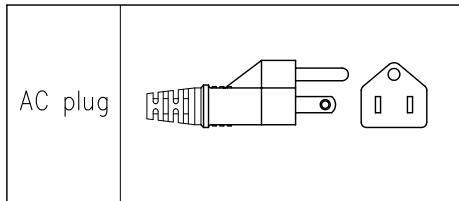
- [NOTE] (1) The sentence refers to recording data for one recording unit. Programs are created by combining the sentences and are played back.
 (2) Phone jack outputs 1 and 2 can be converted to balanced type using an optional IT-450 transformer.
 (3) Distance between barriers on the above screw terminals: 8.2 mm (0.32")

■ APPEARANCE



ERROR	START/BINARY				COM	START/BINARY				COM	EMERGENCY	COM	OUTPUT 2	
1	1	2	3	4	5	6	7	8	9	10	11	H	C	
24V 0.4A	COM	BUSY 1	BUSY 2	COM	PLAY	REC	STOP	EMERGENCY CLEAR	COM	OUTPUT 1.1	H	C		
-	+													

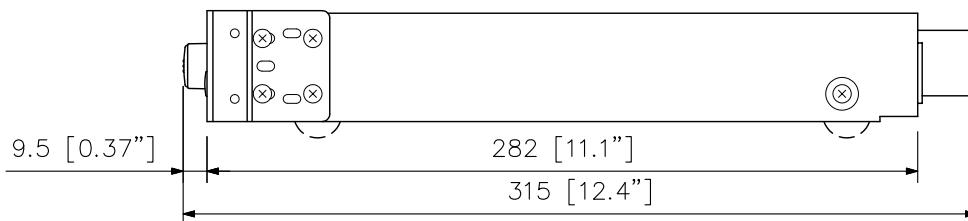
Terminal names



Front View



Inside of a front cover



Side View

UNIT:mm SCALE:1/3