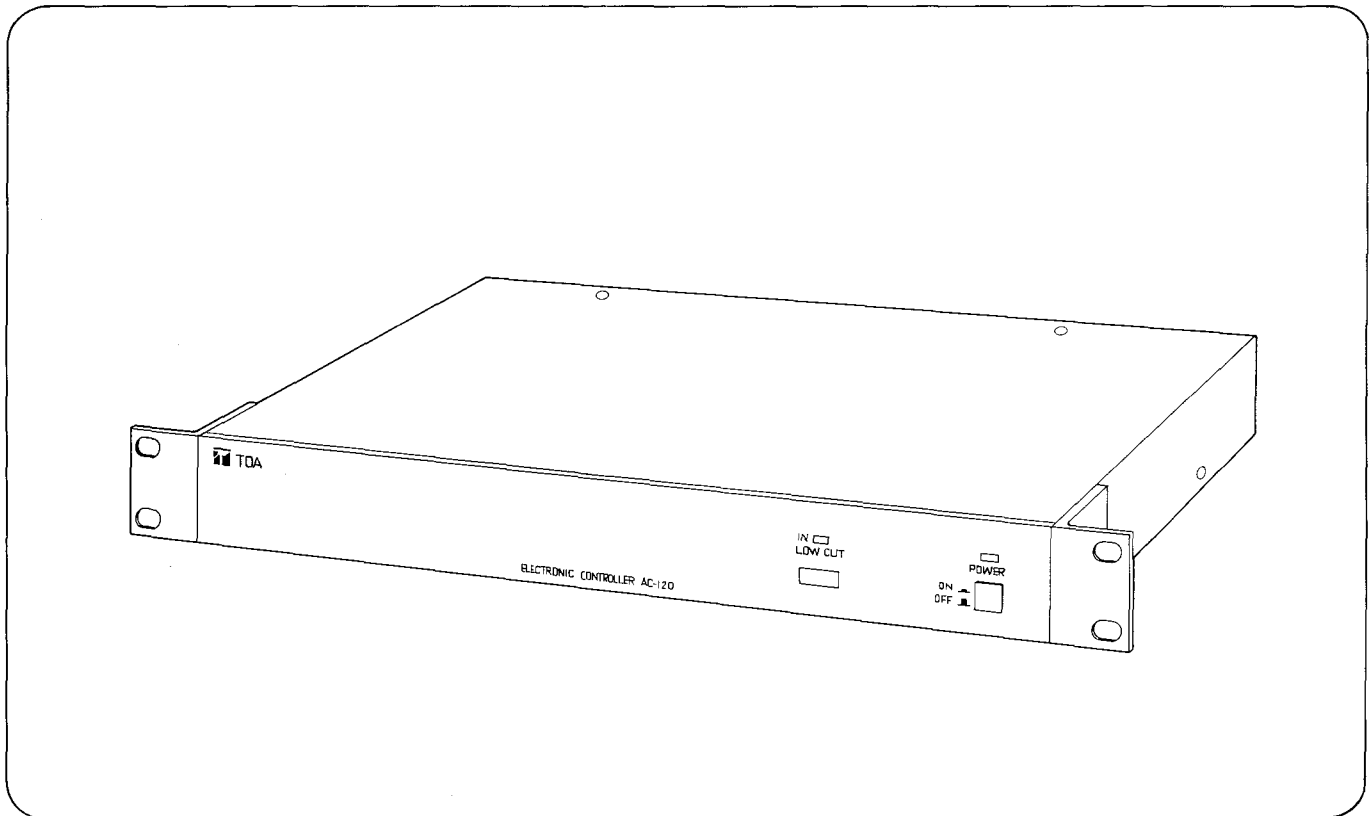


ELECTRONIC CONTROLLER AC-120



■ Contents

User precautions	2
General description	2
Features	2
Panel facilities	3
Connection	4
Block diagram	5
Specifications	6
Appearance	7

■ User Precautions

- The AC-120 cannot be used for the following outdoor speaker (splash-proof) models of the F-500 and F-600 series : F-500WP, F-500WP-L, F-600WP, and F-600WP-L.
- To avoid severe electrical shocks, never open the unit nor touch its internal parts nor insert hair pins, etc. into the unit.
- Water in the unit can be extremely destructive and dangerous. If water does get into the unit, make no further attempt to use the unit. Instead, switch the power OFF at once, unplug the power cord from a wall outlet, and then inform your nearest TOA dealer.
- To clean the unit's exterior, wipe with a soft damp cloth lightly soaked in water or a neutral detergent. Never use thinner, benzine, or other solvents, which may discolor the unit's surface.

■ General Description

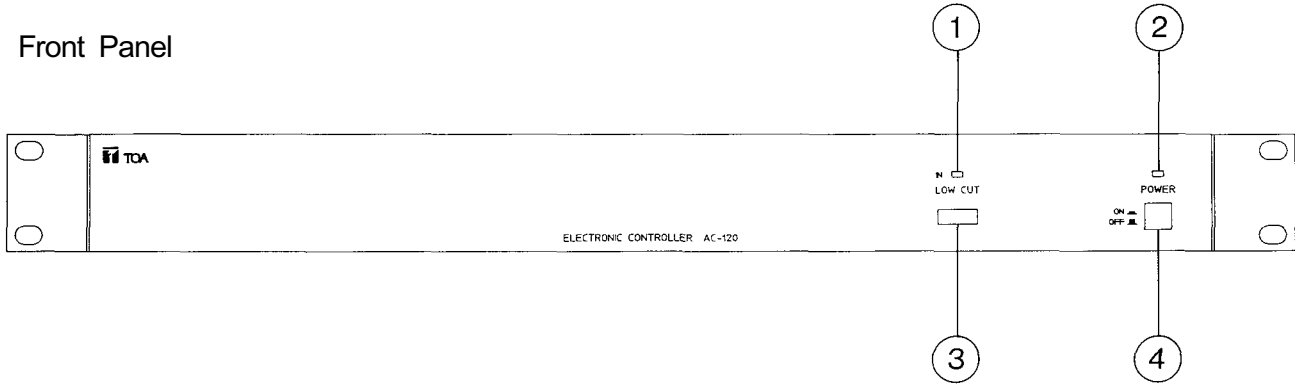
The TOA AC-120 is an electronic controller designed for use with the F-120C ceiling speaker. It can be used to enhance sound quality of the F-500 and F-600 series speaker systems.

■ Features

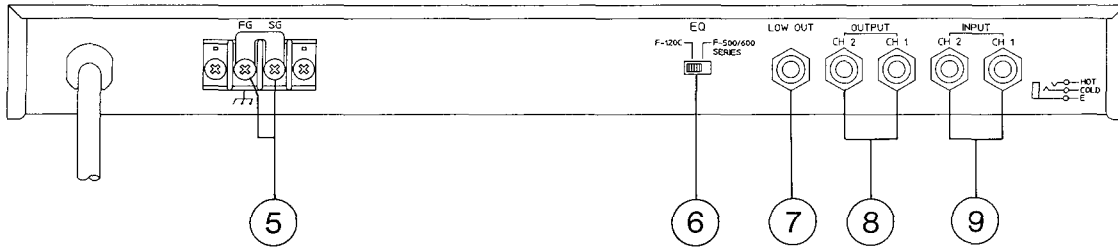
1. Mountable in an EIA standard 19" rack. (1-unit size)
2. Electronically-balanced I/O jacks. (Pin No.3 : HOT / No.2 : COLD / No.1 : GND)
3. Output for subwoofers.
4. A switch to cut low frequencies for the F-120C speaker.

Panel Facilities

Front Panel



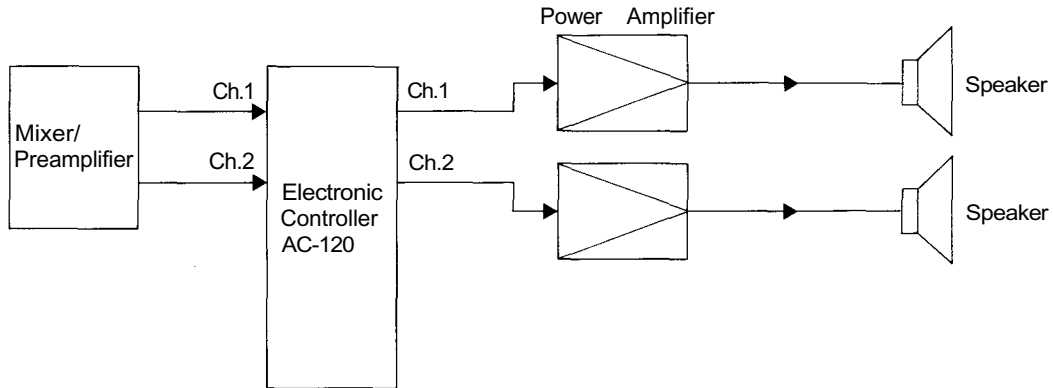
Rear Panel



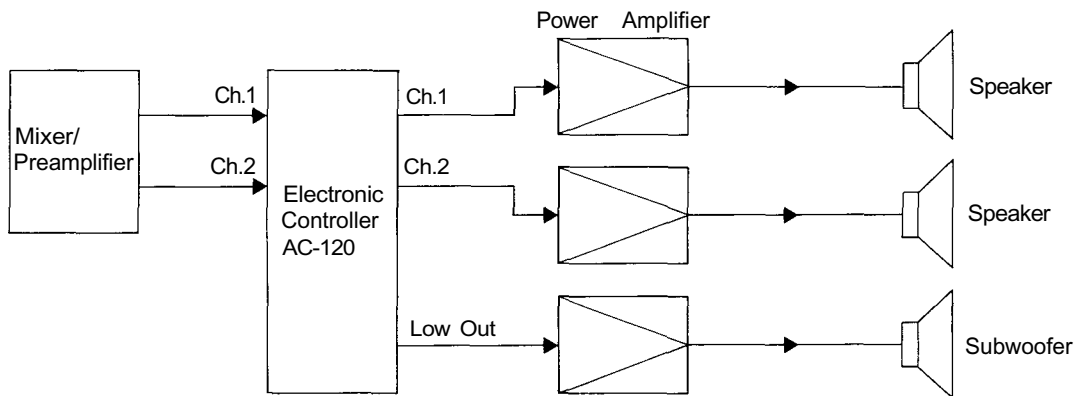
- ① **Low Cut Indicator (IN)**
Lights when the low cut switch is pressed.
- ② **Power Indicator**
Lights when the power is switched on.
- ③ **Low Cut Switch (LOW CUT)**
Pressing this switch when the equalizer selection switch is set to "F-120C" position cuts low frequencies.
- ④ **Power Switch (POWER)**
Press this switch (—) to turn power on. To turn power off, press this switch (■) again.
- ⑤ **Ground Terminal**
Be sure to ground the unit.
When other components are connected, a ground loop can be created, generating hum. In such cases, remove a shorting piece.
Normally, use the unit with the shorting piece attached.
- ⑥ **Equalizer Selection Switch (EQ)**
Set this switch to "F-120C" position if the F-120C speaker is connected, and to "F-500/600 SERIES" position if the F-500 or F-600 speaker is connected.
- ⑦ **Low Frequency Output Jack (LOW OUT)**
This electronically-balanced jack connects to a subwoofer.
Cut-off frequency is 100Hz (Cut-off frequency slope —12dB/Oct).
- ⑧ **Output Jack (OUTPUT)**
This electronically-balanced jack connects to a power amplifier.
- ⑨ **Input Jack (INPUT)**
This electronically-balanced jack is an input for external equipment.

■ Connection

No subwoofer is used.



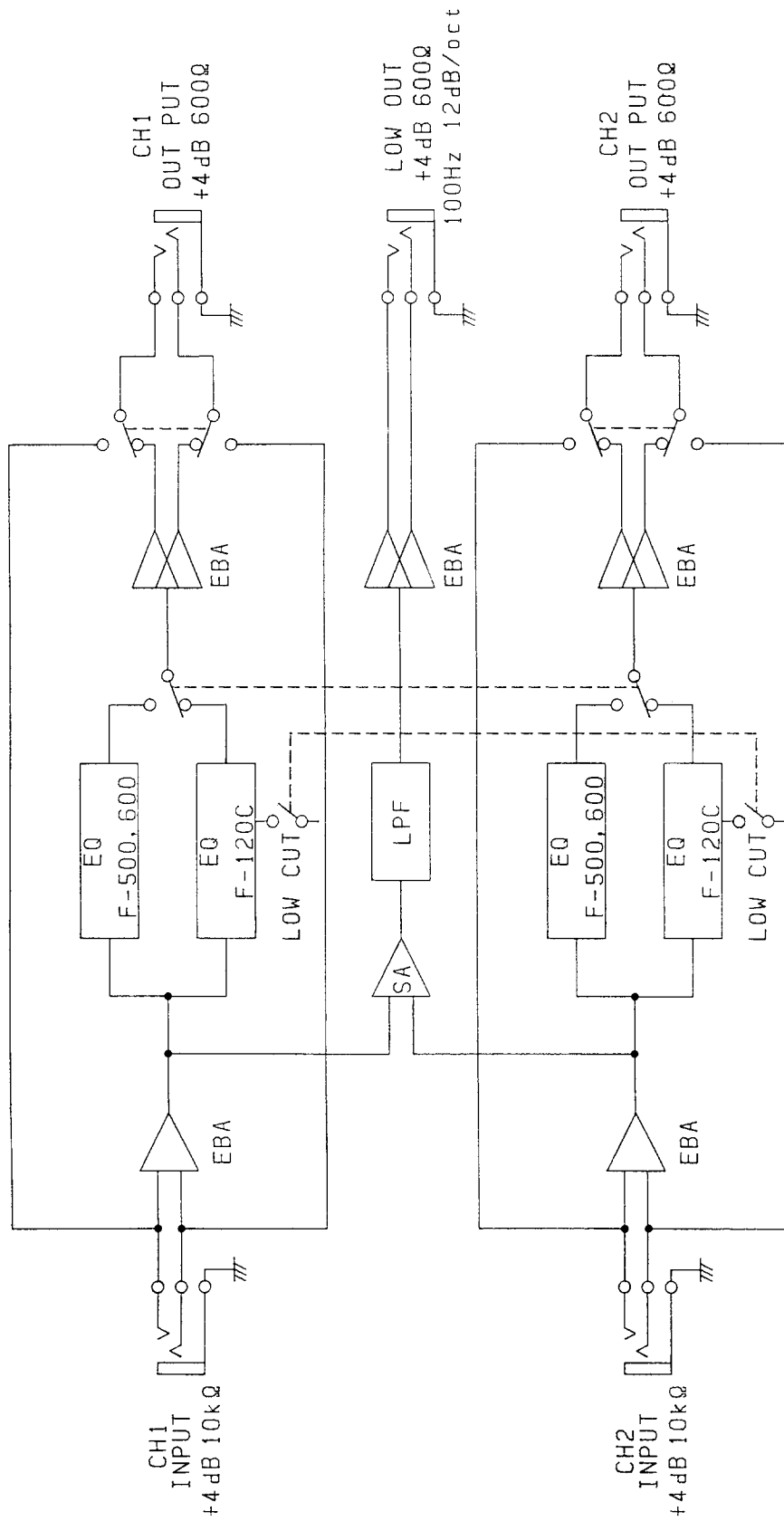
A subwoofer is used.



Note

1. Set the equalizer selection switch (EQ) depending on the type of connected speakers.
2. The AC-120 cannot be used for the following outdoor speaker (splash-proof) models of the F-500 and F-600 series : F-500WP, F-500WP-L, F-600WP, and F-600WP-L.

Block Diagram



■ Specifications

Power Requirements	AC Mains, 50Hz/60Hz
Power Consumption	9W
Distortion	Less than 0.05% (+4dB* 1kHz)
Hum & Noise	Less than -94dB* (20Hz~20kHz)
Channel Input	Rated input : +4dB* 10k Ω electronically-balanced phone jack Max. input level : +20dB*
Channel Output	Rated output : +4dB* 600 Ω electronically-balanced phone jack Max. output level : +20dB*
Low Frequency Output	Rated output : +4dB* 600 Ω electronically-balanced phone jack Max. output level : +20dB* Filter : Cutoff frequency slope 12dB/Oct 100Hz
Low Frequency Cut	6dB cut at 100Hz (F-120C used)
Finish	Panel : Aluminum (colored Alumirite), black
Dimensions	482.6(W) X 44(H) x 297.5(D)mm [19.00" x 1.73" x 11.71"]
Weight	3.7kg [8.16 lb.]

* 0dB = 0.775V RMS

* Specifications are subject to change without notice.

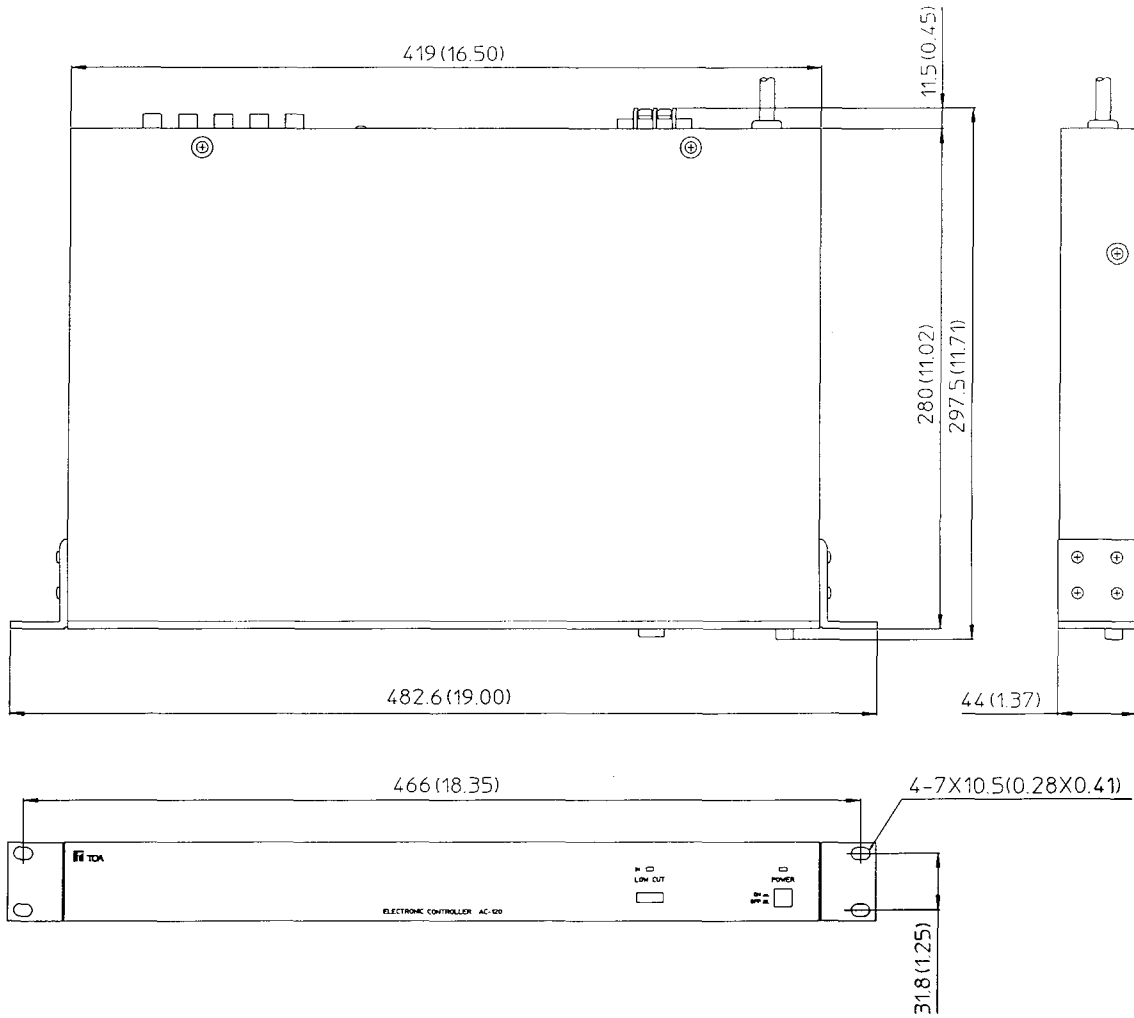
Accessories :

Instruction manual1

Warranty card (for USA and Canada only)1

■ Appearance

Unit : mm(in)





TOA Corporation
KOBE, JAPAN