

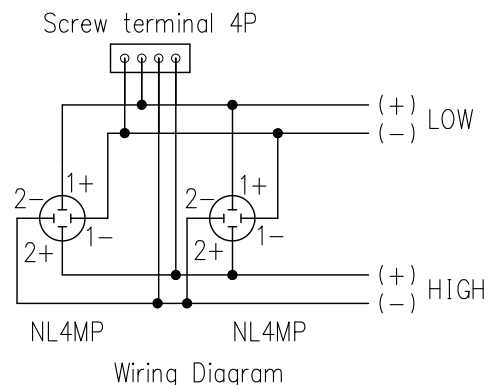
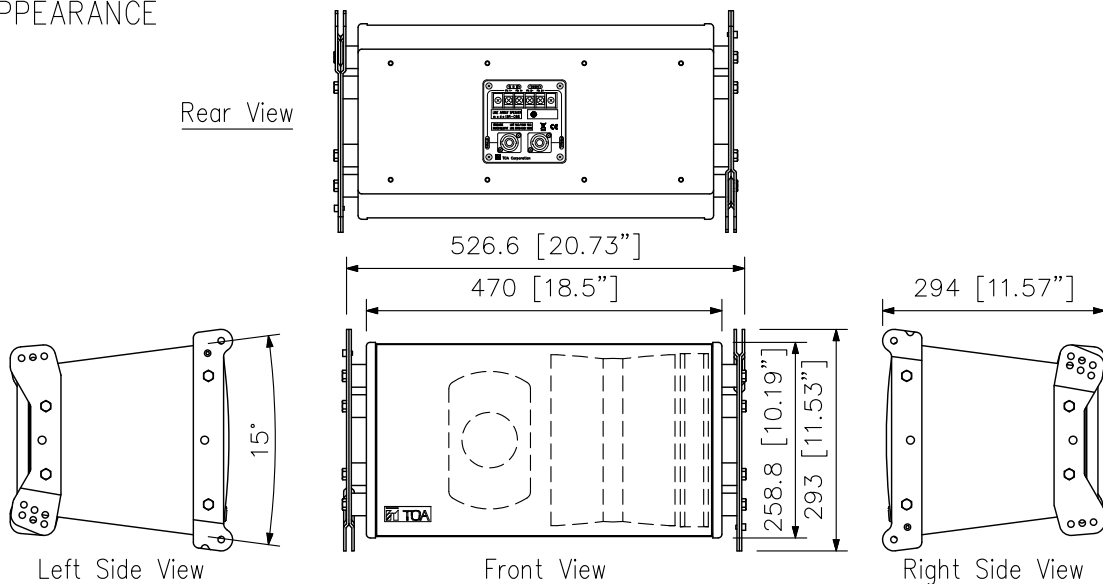
DESCRIPTION

The SR-C8S is a 2-way line array speaker featuring wave front control technology which creates a sound field with high sound clarity and uniform sound pressure. Recommended digital speaker processor is the DP-SP3 (option). It can be converted into the bi-amplifier drive system by changing the internal connection.

SPECIFICATIONS

| | |
|-------------------------|-----------------------------------------------------------------------------------------------------------------------------------------------|
| Enclosure | Bass-reflex type |
| Power Handling Capacity | Continuous program: 360 W (single-amp mode) Low: 360 W, High: 180 W (bi-amp mode) |
| Rated Impedance | 16 Ω (single-amp mode) Low: 16 Ω, High: 16 Ω (bi-amp mode) |
| Sensitivity | 98 dB (1 W, 1 m) (single-amp mode) Low: 95 dB (1 W, 1 m), High: 110 dB (1 W, 1 m) (bi-amp mode) |
| Frequency Response | 65 Hz – 20 kHz (when recommended parameters are applied by the optional DP-SP3) |
| Crossover Frequency | 1.6 kHz (when recommended parameters are applied by the optional DP-SP3) |
| Directivity Angle | Horizontal: 110°, Vertical: 15° |
| Speaker Component | Low frequency: 20 cm (8") cone-type High frequency: Wave front control horn 110° (horizontal) × 15° (vertical) + compression driver × 2 |
| Input Connector | M5 screw terminal, distance between barriers: 12.2 mm (0.48") and Neutrik NL4MP × 2 |
| Finish | Enclosure: Plywood, black, urethane paint Front grille: Punched steel plate, black, paint |
| Dimensions | 526.6 (W) × 293 (H) × 294 (D) mm (20.73" × 11.54" × 11.57") |
| Weight | 16 kg (35.27 lb) |
| Accessory | M8 connection bolt × 4 |
| Option | Cluster bracket: SR-CL8 Rigging frame: SR-RF8 Tilt joint bracket: SR-TP8 Digital speaker processor: DP-SP3 |

APPEARANCE



UNIT: mm SCALE: 1/10