

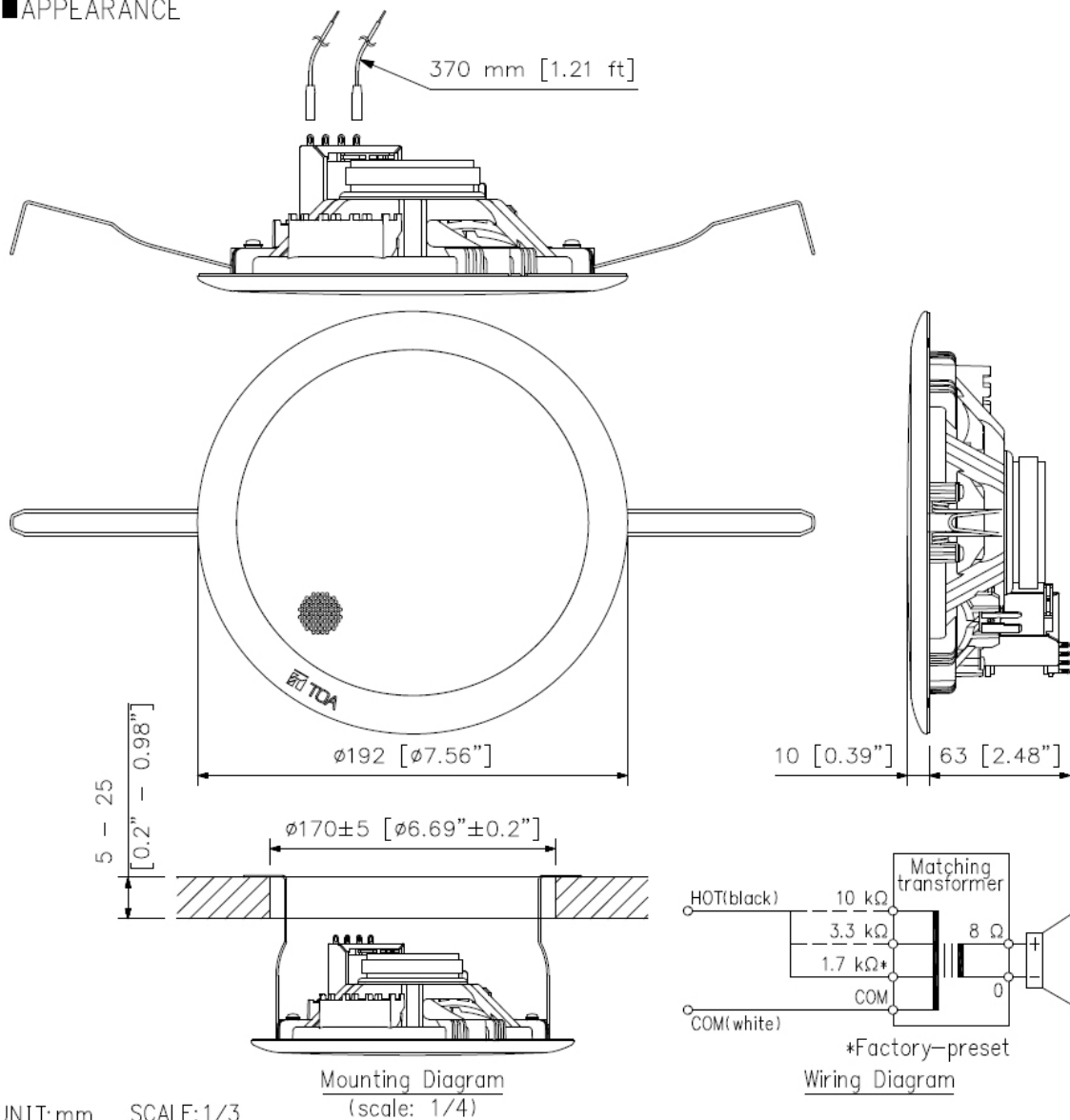
DESCRIPTION

Integrated with a resin panel and speaker frame, the PC-658R is the ceiling mount speaker with a metal attached. It features spring clamp mechanism for easy speaker mounting to the ceiling. The input impedance can be easily changed by changing the tap position of the transformer.

SPECIFICATIONS

| | |
|------------------------------|---|
| Rated Input | 6 W (100 V line), 3 W (70 V line) |
| Rated Impedance | 100 V line: 1.7 kΩ (6 W), 3.3 kΩ (3 W), 10 kΩ (1 W) 70 V line: 1.7 kΩ (3 W), 3.3 kΩ (1.5 W), 10 kΩ (0.5 W) |
| Sensitivity | 90 dB (1 W, 1 m) (500 Hz - 5 kHz, pink noise) |
| Frequency Response | 65 Hz - 18 kHz (peak -20 dB) |
| Speaker Component | 16 cm (6") cone-type |
| Dispersion (1 to 4k Hz avg.) | 105° Horizontal 105° Vertical |
| Dimensions for Fixing Hole | Mounting hole: $\phi 170 \pm 5$ mm ($\phi 6.69 \pm 0.2$ ") Ceiling thickness: 5 - 25 mm (0.2" - 0.98") |
| Speaker Mounting Method | Spring clamp |
| Finish | Baffle: Polypropylene resin, white (RAL 9016 equivalent) Grille: Surface-treated steel plate net, white (RAL 9016 equivalent), paint |
| Dimensions | $\phi 192 \times 73$ (D) mm ($\phi 7.56" \times 2.87"$) |
| Weight | 500 g (1.1 lb) |
| Accessory | Paper pattern ...1 |

APPEARANCE



UNIT:mm SCALE:1/3