

# MOBILE AMPLIFIERS

## CA-115/CA-130/CA-160



### DESCRIPTION

TOA mobile amplifiers are sure sources of precision public address sound reinforcement, combining full working versatility with rugged mobility. These mobile amplifiers have a convenient AUX jack for connecting a radio or cassette player. TOA mobile amplifiers are compact DIN size, for easy installation in most vehicles, and they come with accessible front panel controls and a unidirectional dynamic microphone.

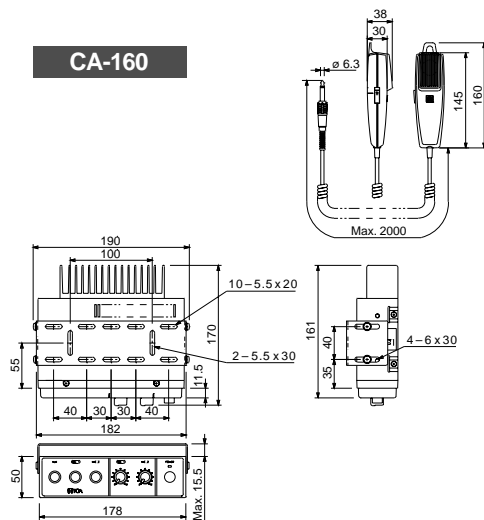
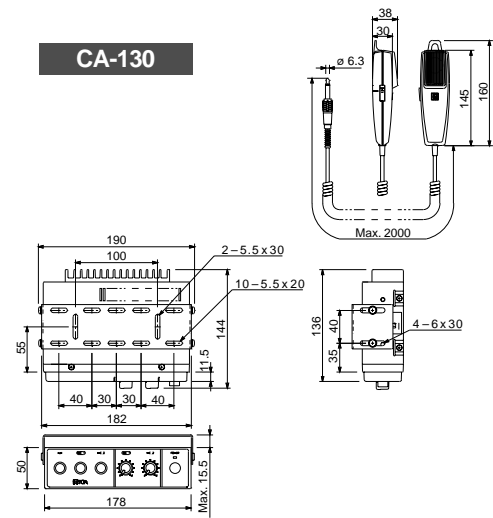
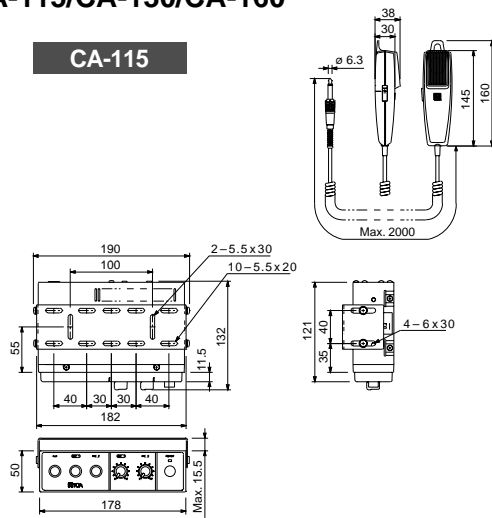
### FEATURES

- CA-115 : 35 W max.  
CA-130 : 60 W max.  
CA-160 : 120 W max.
- Easy installation in practically any 12 V battery equipped car.
- Compact, rugged construction and front panel controls.
- Two phone jack mic. inputs and handy phone jack AUX input for external equipment connection.
- Unidirectional dynamic microphone with talk switch.

## SPECIFICATIONS

	CA-115	CA-130	CA-160
<b>Power Source</b>	Standard voltage : 14VDC Usable voltage : 10 – 16 VDC (12 V battery used)		
<b>Power Consumption</b>	2.2 A or less at rated output	4.4 A or less at rated output	9 A or less at rated output
<b>Rated Output</b>	15 W (35 W max.)	30 W (60 W max.)	60 W (120 W max.)
<b>Output Impedance</b>	4 Ω (BRN), 8 Ω (ORG), Common (WHT) Changeable by changing lead wire connections		
<b>Distortion</b>	Less than 5 % ( at 1,000 Hz rated output)		
<b>Frequency Response</b>	100 – 10,000 Hz		
<b>Input</b>	Mic 1, 2 : 600 Ω , 4 mV, Phone jack Aux : 10 kΩ, 500 mV, Phone jack		
<b>Finish</b>	Front panel : ABS resin, black Case : Zinc plated steel sheet		
<b>Dimensions</b>	178 (W) x 50 (H) x 132 (D) mm (Mounting device excluded)	178 (W) x 50 (H) x 144 (D) mm (Mounting device excluded)	178 (W) x 50 (H) x 170 (D) mm (Mounting device excluded)
<b>Weight</b>	900 g	1.1 kg	1.2 kg
<b>Accessory</b>	Microphone holder ... 1 Mounting bracket ... 1 Mounting screw ... 1 Fuse (4 A) ... 1 Connection cord ... 1 set	Microphone holder ... 1 Mounting bracket ... 1 Mounting screw ... 1 Fuse (8 A) ... 1 Connection cord ... 1 set	Microphone holder ... 1 Mounting bracket ... 1 Mounting screw ... 1 Fuse (12 A) ... 1 Connection cord ... 1 set
<b>Accessory Microphone</b>	Unidirectional dynamic type with talk switch Impedance : 600 Ω Sensitivity : – 53 dB (1 kHz, 0 dB = 1 V / Pa)		

## APPEARANCE AND DIMENSIONAL DIAGRAMS CA-115/CA-130/CA-160



Unit : mm

