

DESCRIPTION

The FB-3862CU is a high-performance flush-mount ceiling subwoofer assembly for low frequency enhancement of distributed loudspeaker systems. A 60W 70/100V transformer is included, and the bandpass design eliminates the need for a bi-amplified system.

The 8-Ohm bypass allows for applications using electronic crossovers and dedicated low impedance power amplifiers. The FB-3862CU subwoofer rounds out TOA's F-Series premier speaker line to offer a full spectrum sonic experience suitable for retail environments, restaurants, lounges, conference rooms, and any application where music or video content require high quality sound.

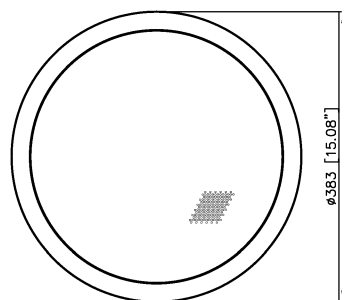
SPECIFICATIONS

Enclosure	Bandpass
Rated Input	60W (70/100V)
Power Handling Capacity	100W RMS 200W Peak (Low-impedance)
Impedance	70V line-60W/30W/15W/7.5W/3.8W/1.9W with Low Impedance (8Ω) bypass
Sensitivity	91dB 1W/1m
Frequency Response	45-200 Hz (-10dB)
Speaker Component	8" driver with oiled paper cone and foam surround
Certifications	UL2043/UL1480A/CSA C22.2 No. 205, Baffle meets UL 94-V0, RoHS compliant.
Mounting Hole	350mm diameter(13.8")
Input Terminal	Phoenix-type with bridging outputs (max 12AWG stranded cable)
Recommended Cable	Max 12AWG stranded unshielded twisted pair (jacket per code)
Finish	White
Dimensions	383mm diameter x 326.5 mm height
Weight	6.71 kg (14.79 lb)
Included Accessories	Steel support ring (C-ring), qty 1 Steel support rails, qty 2 Speaker hole template, qty 1
Optional Accessories	Support and safety cables (load rated chain or load rated aircraft cable) HY-BC2W white back can enclosure

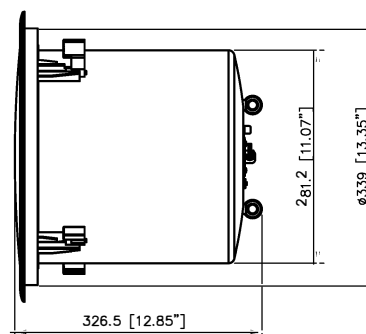
(°1) 0 dB = 1 V

APPEARANCE

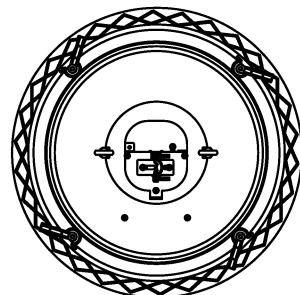
[FRONT VIEW]



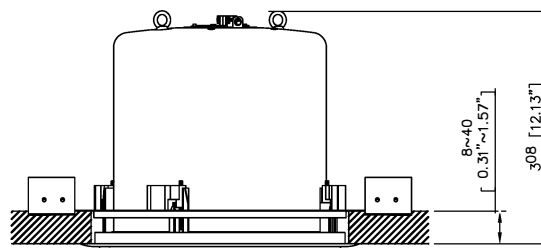
[SIDE VIEW]



[REAR VIEW]



[CEILING MOUNTING]



UNIT:mm SCALE:1/10