
TOA ELECTRONICS, INC.

SL-SERIES

SPEAKER SYSTEMS

Features

- Wide frequency response
- High power handling: 240 watts RMS continuous program
- Uniform sound coverage (90°H x 40°V)
- Two paralleled phone jacks
- Protective steel mesh grille
- Durable, convenient carry straps
- Built-in stand-mounting adaptor
- Interlocking corner guards allow safe, easy stacking
- Attractive gray covering of durable textured vinyl



Description

TOA's SL™ Series is an integrated line of compact, rugged speaker and stage monitor systems designed for sound reinforcement and live stage monitoring applications that require quality and economy. Each enclosure in the SL Series houses a constant directivity horn with piezo driver and a 12" or 15" woofer.

The CD horn in each speaker assures uniform sound dispersion (90° horizontal, 40° vertical) and uniform response characteristics within the high frequency range. The piezo tweeter utilizes a polymer diaphragm for long-term reliability and is resistively decoupled for a smoother response and lower distortion. SL speakers have high power handling (240W), smooth, extended frequency response (70Hz—20kHz), and 8Ω impedance.

Each SL system provides two, paralleled ¼" phone jacks for multiple speaker hook-ups. The vinyl-covered, charcoal gray enclosure has hard-rubber, interlocking corner guards and a removable, protective steel grille.

The side panels include flexible, rugged carry straps. The bottom panels of the SL-122 and SL-152 contain stand adaptors for stable, quick mounting on TOA's ST-20 speaker stand.

The SL produces a clean, natural sound, delivered by a reliable and economical package that withstands the rigors of road touring and rental use. Nightclubs and auditoriums equally appreciate the integrated style, durability, and quality of the SL Series.



Specifications

SL-122

Enclosure	Sealed type
Speakers	12" (30cm) woofer, CD horn and piezo driver (90°H x 40°V)
Power Handling Capacity	
Continuous Pink Noise	80W RMS of band-limited pink noise (50Hz–20kHz)
Continuous Program	240W RMS
Impedance	8Ω
Sensitivity	95dB (1W/1m)
Frequency Response	70Hz–20kHz
Input Terminals	Two In/Out ¼" phone jacks
Finish (Enclosure)	Durable textured vinyl (charcoal gray)
Dimensions (W x H x D)	15" x 20.5" x 12.2" (380 x 520 x 310mm)
Weight	28.2 lbs. (12.8 kg.)

SL-122M

Enclosure	Sealed type, with sloped front
Speakers	12" (30cm) woofer, CD horn and piezo driver (90°H x 40°V)
Power Handling Capacity	
Continuous Pink Noise	80W RMS of band-limited pink noise (50Hz–20kHz)
Continuous Program	240W RMS
Impedance	8Ω
Sensitivity	95dB (1W/1m)
Frequency Response	70Hz–20kHz
Input Terminals	Two In/Out ¼" phone jacks
Finish (Enclosure)	Durable textured vinyl (charcoal gray)
Dimensions (W x H x D)	15" x 15.1" x 22.9" (380 x 383 x 581mm)
Weight	24.7 lbs. (11.2 kg.)

SL-152

Enclosure	Sealed type
Speakers	15" (38cm) woofer, CD horn and piezo driver (90°H x 40°V)
Power Handling Capacity	
Continuous Pink Noise	80W RMS of band-limited pink noise (50Hz–20kHz)
Continuous Program	240W RMS
Impedance	8Ω
Sensitivity	98dB (1W/1m)
Frequency Response	70Hz–20kHz
Input Terminals	Two In/Out ¼" phone jacks
Finish (Enclosure)	Durable textured vinyl (charcoal gray)
Dimensions (W x H x D)	18.1" x 23.6" x 12.2" (460 x 600 x 310mm)
Weight	34.6 lbs. (15.7 kg.)

SL-152M

Enclosure	Sealed type, with sloped front
Speakers	15" (38cm) woofer, CD horn and piezo driver (90°H x 40°V)
Power Handling Capacity	
Continuous Pink Noise	80W RMS of band-limited pink noise (50Hz–20kHz)
Continuous Program	240W RMS
Impedance	8Ω
Sensitivity	98dB (1W/1m)
Frequency Response	70Hz–20kHz
Input Terminals	Two In/Out ¼" phone jacks
Finish (Enclosure)	Durable textured vinyl (charcoal gray)
Dimensions (W x H x D)	18.1" x 17.1" x 26" (460 x 434 x 661mm)
Weight	32.0 lbs. (14.5 kg.)

NOTES:

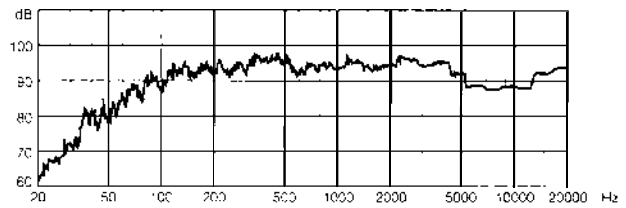
- 1.) Duration of power handling test is 24 hours.
 - 2.) Positive voltage on plus (+) terminal gives forward diaphragm motion.
- Specifications are subject to change without notice.



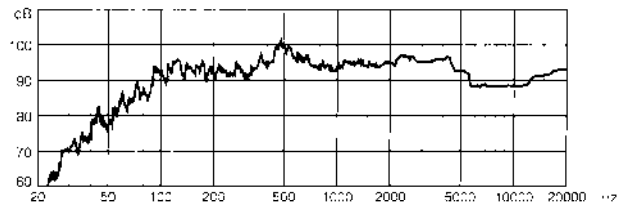
TOA Electronics, Inc.
601 Gateway Blvd., Suite 300
So. San Francisco, CA 94080
Tel: 415-588-2538 Fax: 415-588-3349

Frequency Response (1W/1m Swept 1/3 Octave Pink Noise)

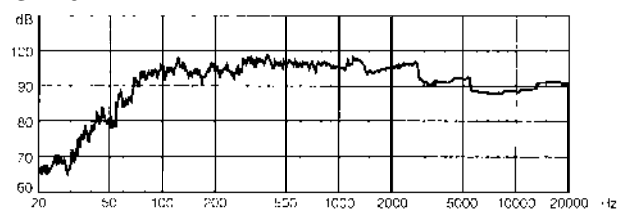
SL-122



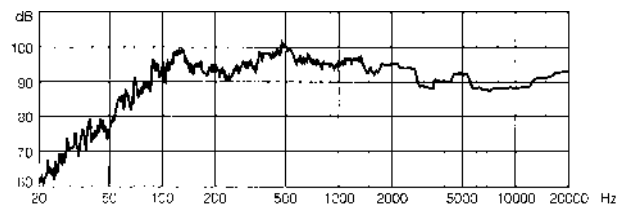
SL-122M



SL-152

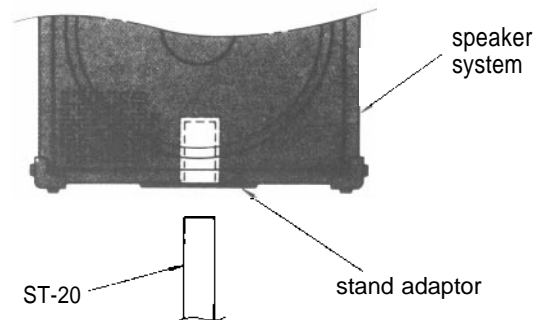


SL-152M



Mounting on Speaker Stand

The SL Series speaker systems (except SL-122M and SL-152M) can be easily mounted on their exclusive speaker stand Model ST-20 (optional).



TOA Canada Corporation

6150 Kennedy Road, Unit 3
Mississauga, Ontario L5T 2J4
Tel: 905-564-3570 Fax: 905-564-3569