

# IP DOOR STATION N-8540DS

## 1. SAFETY PRECAUTIONS

- Before installation or use, be sure to carefully read all the instructions in this section for correct and safe operation.
- Be sure to follow all the precautionary instructions in this section, which contain important warnings and/or cautions regarding safety.
- After reading, keep this manual handy for future reference.

### CAUTION

Indicates a potentially hazardous situation which, if mishandled, could result in moderate or minor personal injury, and/or property damage.

- Use the dedicated AC adapter or its equivalent for the unit. Note that the use of other adapter may cause a fire.

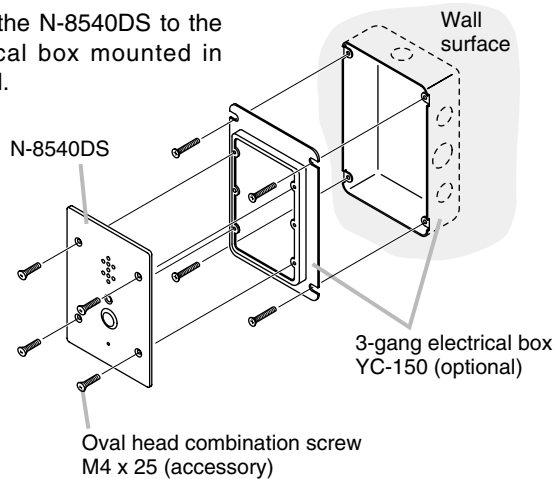
## 2. GENERAL DESCRIPTION

Designed to connect to the IP network, the N-8540DS is an indoor use door station featuring high quality hands-free conversation. It has a contact output (momentarily closed) to remotely control an electronic door lock. Using with an electrical box or surface mounting box, the station can be mounted to a wall. The operating temperature range is  $-10^{\circ}\text{C}$  to  $+50^{\circ}\text{C}$ .

## 3. WALL MOUNTING

### 3.1. Mounting to a 3-gang Switch Box (with cover)

Mount the N-8540DS to the electrical box mounted in the wall.



#### Note

The wall should be over 12 mm thick, and the opening in the wall for an electrical box should be under 115 mm (wide) by 162 mm (high).

#### Accessory screws

The N-8540DS comes with 2 types of screws: oval head combination screw M4 x 25 and oval head slotted screw UNC No.6 x 18.

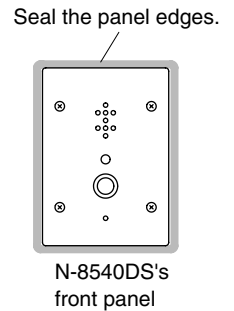
For the electrical box provided with unified threads, use the oval head slotted screws UNC No.6 x 18.

### 3.2. Mounting to the YS-13A Wall Mount Box

Install the YS-13A on a wall and mount the station in the same way as 3.1.

## 4. INSTALLATION PRECAUTIONS

- When installing the N-8540DS outdoors or at locations where it gets wet with water, tightly seal the panel edges. Besides, provide a weep hole at the underside of the mounting box to permit water to drain off.
- When installing the N-8540DS under difficult environmental conditions such as in coastal areas or at humid locations, cover the inside of the N-8540DS with coating. For the coating method, consult your TOA dealer.



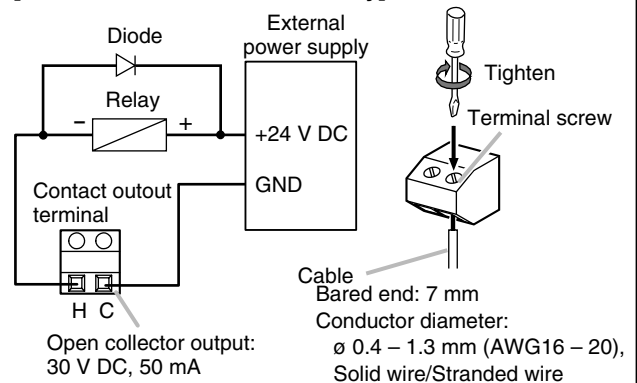
## 5. WIRING

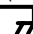
### [Power supply connection]

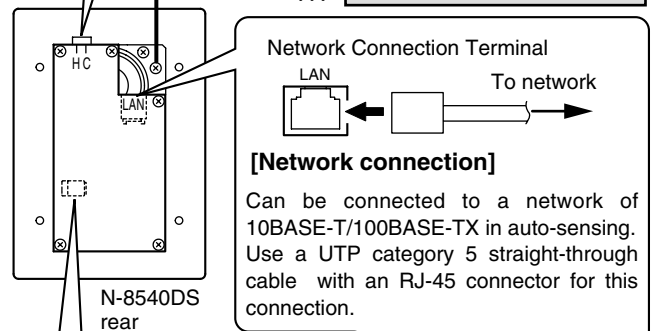
The following 2 methods are available for supplying power to the station.

- From a DC 12 V AC adapter
- From an IEEE802.3af compliant PoE switching hub (For connection, refer to the instruction manual supplied with the switching hub.)

### [Connection to an external relay]



Frame ground (FG)  Ground from the FG when the switch box is not grounded.



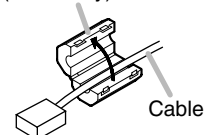
### [Network connection]

Can be connected to a network of 10BASE-T/100BASE-TX in auto-sensing. Use a UTP category 5 straight-through cable with an RJ-45 connector for this connection.

#### Note

Install the supplied ferrite clamp on the cable.

Ferrite clamp (accessory)



### [AC adapter connection]

