

HORN MOUNTING BRACKET

HY-M94

* 日本語の取扱説明書は裏面を参照ください。

General Description

The HY-M94 horn mounting bracket is designed exclusively for mounting the TOA LE-M94 constant directivity horn onto the low frequency, vented (bass-reflex) enclosure SB-38W, SB-38S, SB-30W or SB-30S when the standard speaker system (GS-386W, GS-382S, GS-302W or GS-302S) is configured.

Parts List

Bracket No. 1	1
Bracket No. 2	2
Bracket No. 3	2

Supplied Accessories :

1. Hex. bolt (M8 x 20)	2
2. Hex. bolt (M8 x 30)	4
3. Hex. bolt (M6 x 25)	4
4. Hex. nut (M8)	2
5. Flat washer (W8)	8
6. Flat washer (W6)	4
7. Spring lock washer (SW8)	6
8. Spring lock washer (SW6)	4

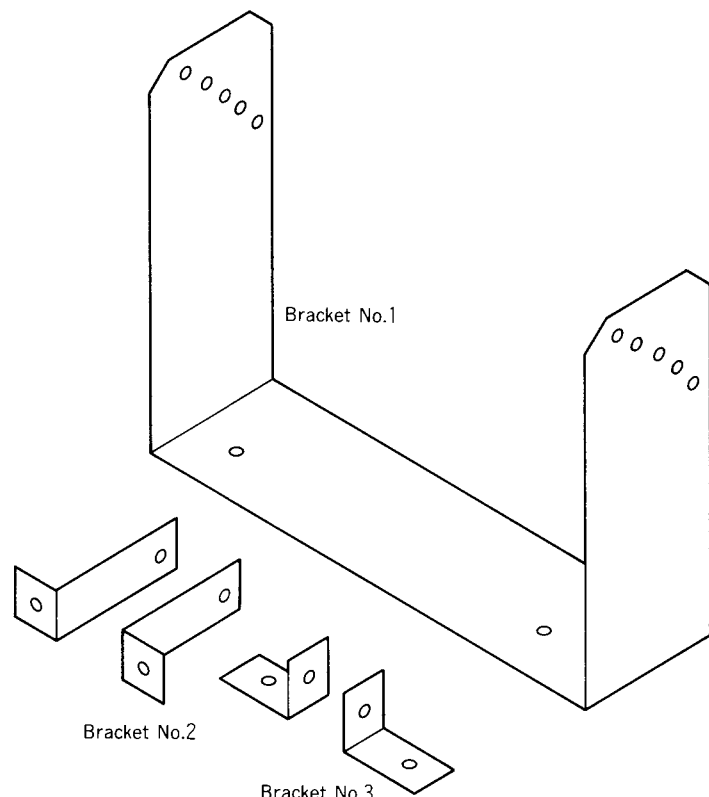


Figure 1

Handling Precautions

- The HY-M94 is designed exclusively for system configuration of the standard speaker system (GS-386W, GS-382S, GS-302W or GS-302S), and do not use for other than this application.
- TOA takes no responsibility for accidents or injuries caused by faulty mounting methods or poorly selected mounting locations.

Installation

1. Referring to Figure 2, securely mount the horn using the parts supplied with the bracket set.
2. Anchor nuts have been pre-installed in the enclosure's mounting holes to permit attachment from the outside.

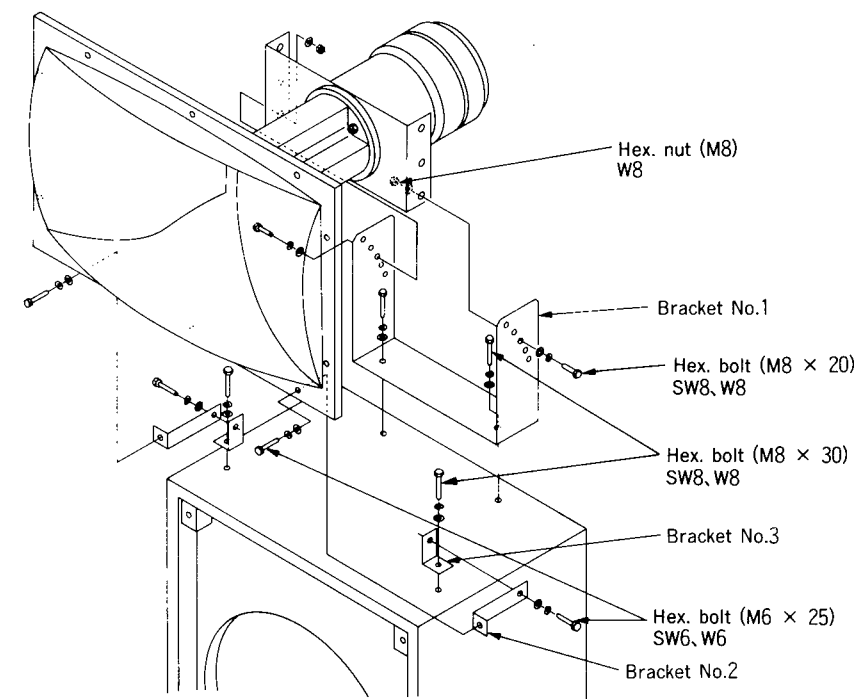


Figure 2

Horn Mounting Angle Adjustment

As shown in Figure 3, the horn mounting angle can be adjusted 10° up or down from horizontal in 5° steps. This mounting example shows that the horn mounting angle is adjusted 5° down from horizontal.

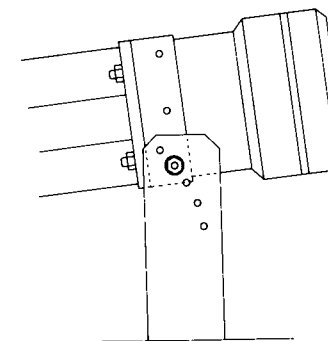


Figure 3