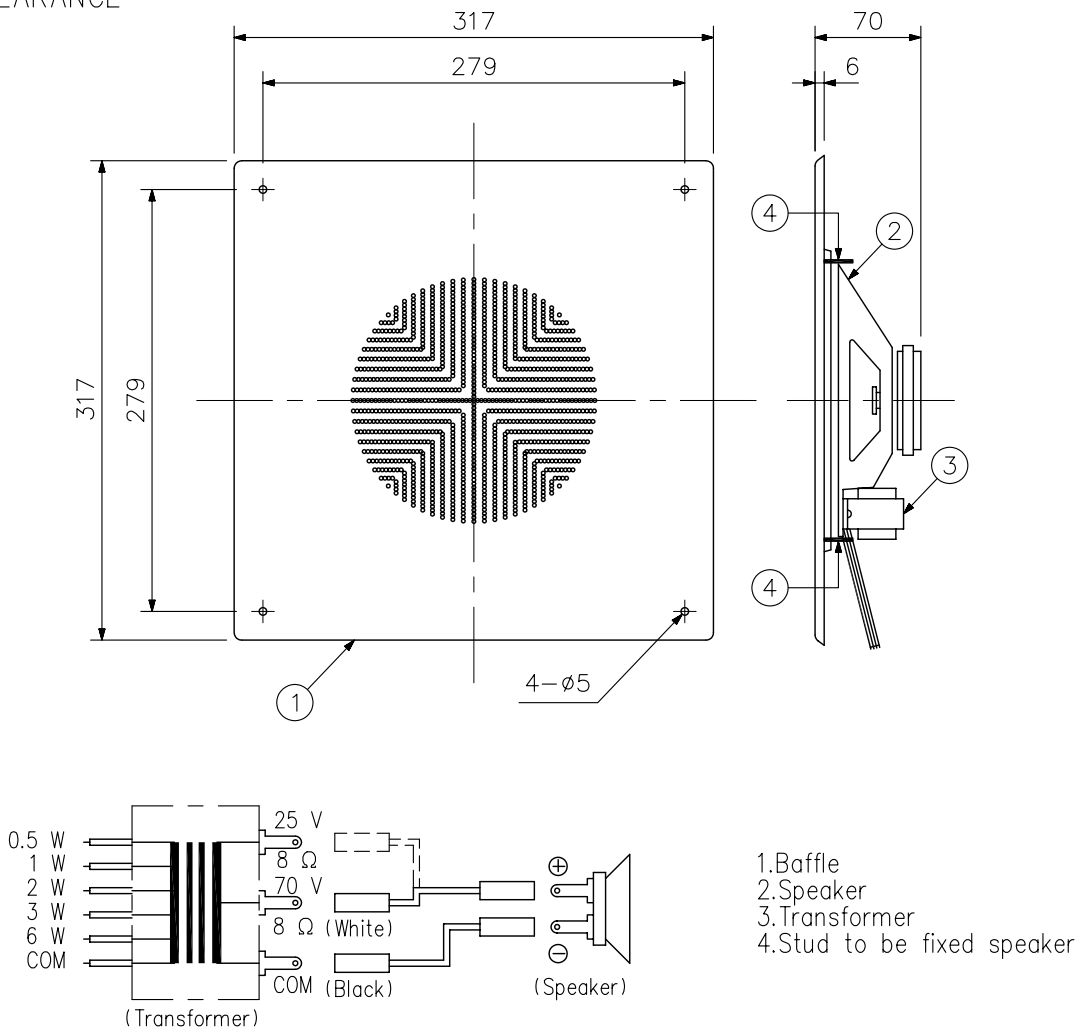


■ SPECIFICATIONS

Rated Input	8 W (speaker), 6 W (transformer)
Rated Impedance	10 k Ω , 5 k Ω , 2.5 k Ω , 1.67 k Ω , 830 Ω (for 70 V line) 1.25 k Ω , 625 Ω , 310 Ω , 210 Ω , 105 Ω (for 25 V line)
Sensitivity	95 dB (1 W, 1 m)
Frequency Range	31.5 Hz - 16 kHz
Frequency Response	50 Hz - 10 kHz
Line Voltage	70 V line or 25 V line
Weight	1.74 kg (3.84 lb)
Material	Cold rolled steel
Finish	White
Speaker	Rated impedance : 8 Ω Magnet size : 70 (W) \times 32 (H) \times 10 (D) mm (2.76" \times 1.26" \times 0.39") Magnet weight : 150 g (0.33 lb) Flux density : 10300 gauss Voice coil diameter : 21 mm (0.83") Bolt circle diameter : 194 mm (7.64") Depth : 70 mm (2.76")
Indicator	Size : 50.5 (W) \times 42.5 (H) \times 22.5 (D) mm (2" \times 1.67" \times 0.89") Core : Silicon steel Z-11 anneal Bobbin : Nylon-66 Mounting : 61 mm (2.4")

■ APPEARANCE



UNIT: mm SCALE: 1/5