

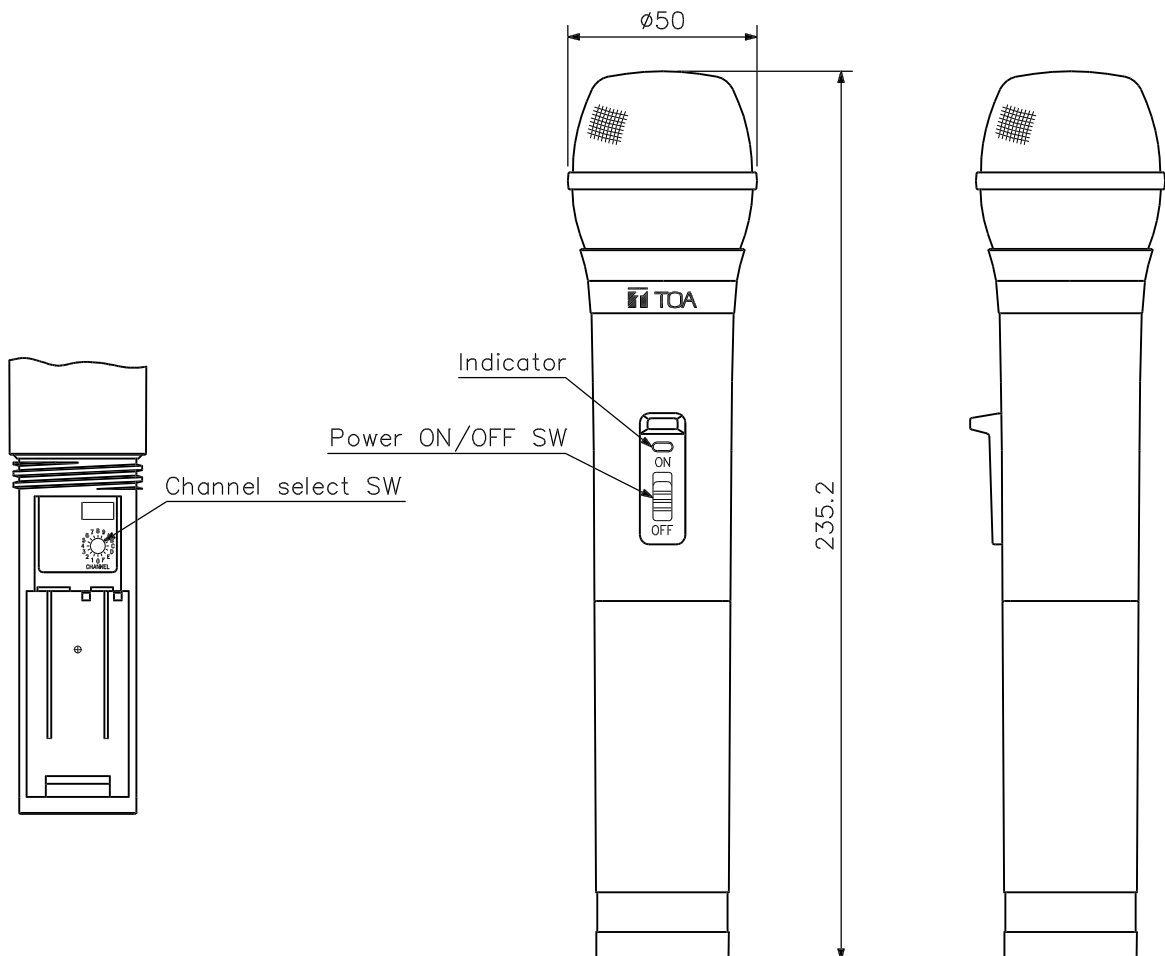
DESCRIPTION

The WM-4210 Wireless Microphone employs a dynamic microphone capsule and is suitable for vocal applications. Thanks to the PLL-synthesizer system, 16 different operating frequencies are made available. A high output power ensures stable radio signal transmission.

SPECIFICATIONS

Microphone Element	Dynamic microphone unit: Cardioid
Emission	F3E
Frequency Range	690 – 750 MHz, UHF
Channel Selectable	16 CH
RF Carrier Power	Less than 50 mW
Tone Frequency	32.768 kHz
Modulation System	PLL synthesizer
Maximum Input Level	130 dB SPL
Maximum Deviation	±40 kHz
Battery	6LR61 (9 V × 1)
Battery Life	10 hours (alkaline)
Indicator	Power/Battery indicator (common use)
Antenna	Internal antenna
Operating Temperature	-10°C to +50°C
Finish	Resin, coating (change other's)
Dimensions	ø50 × 235.2 mm
Weight	250 g (with battery)
Accessory	Stand adapter.....1, Screw driver.....1, Storage case.....1

APPEARANCE



UNIT:mm SCALE:1/2