

### DESCRIPTION

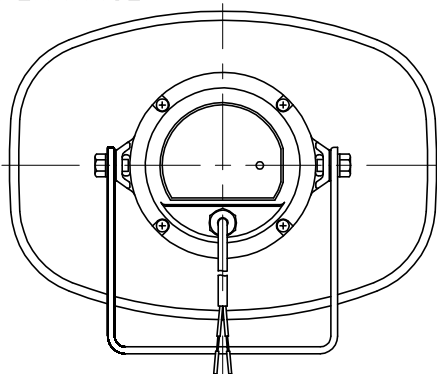
The SC-630T is a compact, highly intelligible speaker suited to public address announcement applications. Its external speaker component finished with powder coating, and stainless steel bracket and screws ensure the unit's weatherproof capability.

### SPECIFICATIONS

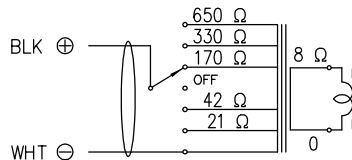
Rated Input	30 W
Line Voltage	70 V line or 25 V line
Rated Impedance	70 V line: 170 Ω (30 W), 330 Ω (15 W), 650 Ω (7.5 W) 25 V line: 21 Ω (30 W), 42 Ω (15 W), 170 Ω (3.7 W), 330 Ω (1.9 W), 650 Ω (1 W)
Sound Pressure Level	113 dB (1 W, 1 m at 500 Hz to 2.5 kHz peak level)
Frequency Response	250 Hz - 10 kHz
Dust/Water Protection	IP65
Polarity	Hot: Black, Com: White
Operating Temperature	-20 °C to +55 °C (must be free from dew condensation)
Finish	Horn flare: Aluminum, off-white, powder coating Reflector horn and rear cover: ABS resin, off-white Bracket, screws and bolts: Stainless steel Speaker cable: Polyvinyl chloride insulated cabtyre cable (6 mm in diameter, 600 mm in length)
Dimensions	285 (W) × 227 (H) × 277 (D) mm
Weight	2 kg
Option	Swivel bracket: YS-151S (Can be used instead of the supplied bracket.)

Note: Avoid installing the speaker in locations which vibrate considerably, or under environments easy to be oil-contaminated.

### APPEARANCE



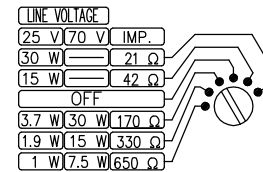
Rear View



(Transformer connection when the speaker is supplied from the factory)

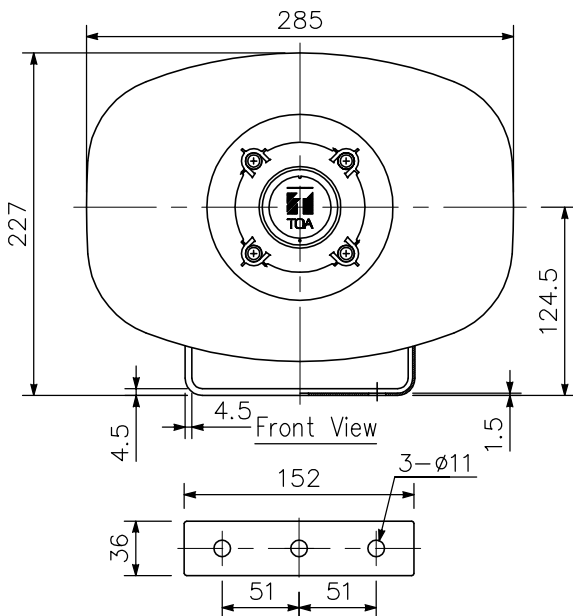
Wiring diagram

CAUTION  
NEVER SET THE SWITCH TO "≡" POSITION FOR 70 V LINE OPERATION, AS DOING SO MAY RESULT IN DAMAGE TO THE SPEAKER.

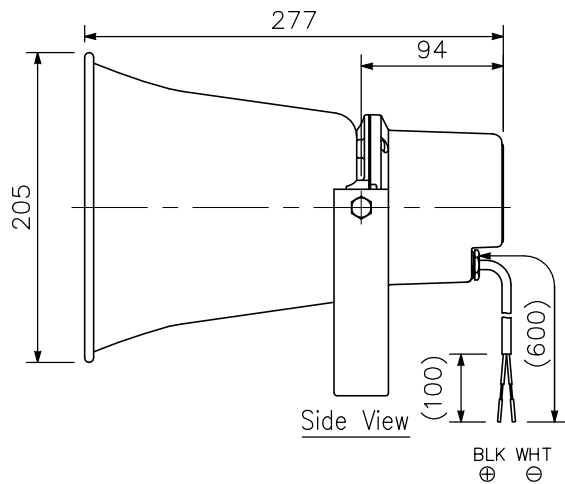


Set the impedance selector to the desired impedance.

Impedance selection



Bracket dimensional diagram



Side View

BLK ⊕  
WHT ⊖

UNIT:mm SCALE:1/5

Note: Numerical values in parentheses are for reference only.