

DESCRIPTION

The RS-190 can call and converse with the registered master stations. It has a indicator lamp and control output channel, and utilizes 2 sets of twisted cables.

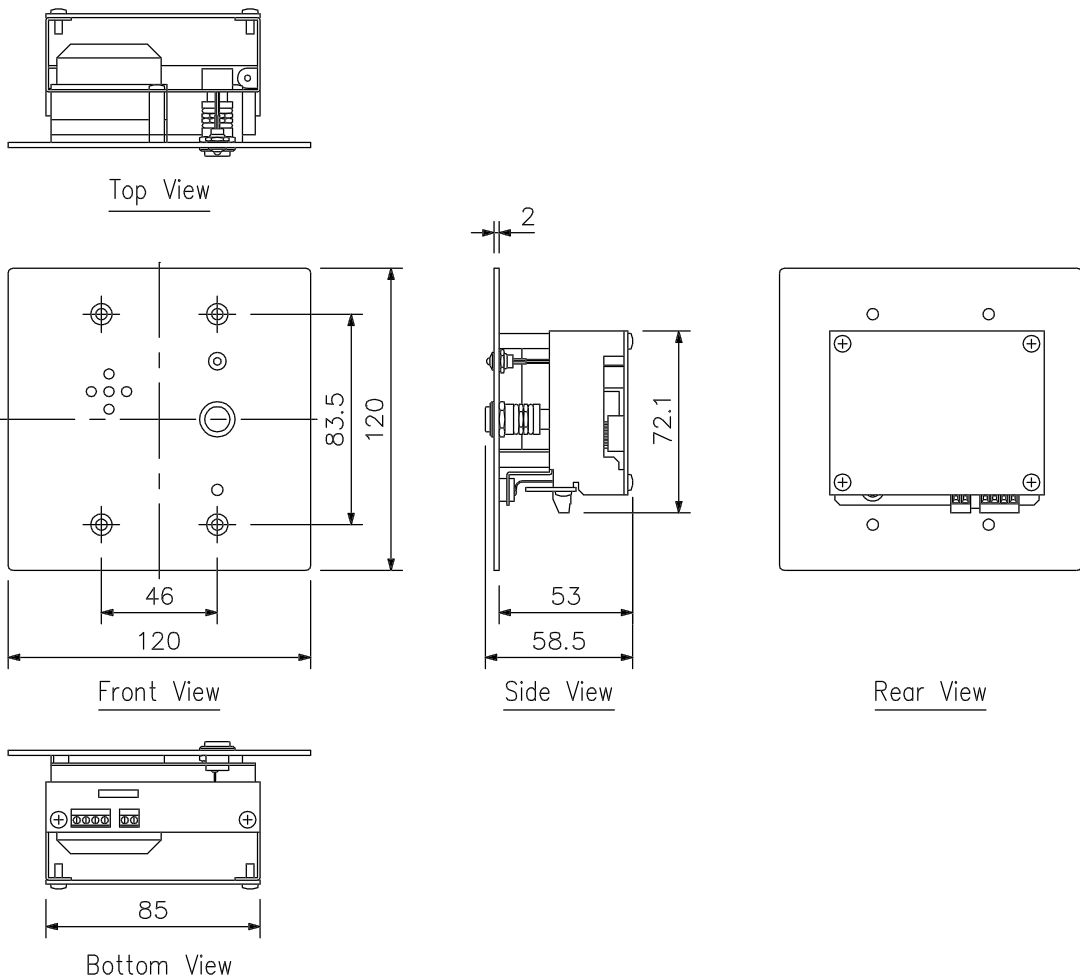
SPECIFICATIONS

Rated Input	1 W
Rated Impedance	500 Ω
Internal Speaker	4 cm cone-type
Control Output	Open collector output: 24 V DC, 30 mA (The open collector output is kept turned on till the conversation is finished after the call button was pressed.)
Operating Temperature	-10°C to +50°C (Temperature range not to freeze the speaker and switch)
Finish	Panel: Stainless steel (SUS304), hairline Call button: Resin
Dimensions	120 (W) × 120 (H) × 58.5 (D) mm
Weight	465 g
Accessory	Box mounting screw (No.6-32UNC × 8)4, Box mounting screw (M4 × 25)4

Maximum cable distance

Cable Type	AWG24 (ø0.52 mm)	AWG22 (ø0.65 mm)	AWG20 (ø0.82 mm)
Distance	1 km	1.5 km	2 km

APPEARANCE



UNIT:mm SCALE:1/3