

SUBSTATION OPTION HANDSET

RS-190 RS-191

Please follow the instructions in this manual to obtain the optimum results from this unit.
We also recommend that you keep this manual handy for future reference.

Note: For operation of the units, refer to the VS-900 operating instructions.

1. GENERAL DESCRIPTION

The RS-190 Full-Duplex Substation is designed exclusively for use with TOA's VS-900 Voice Security System. The RS-191 Option Handset is designed exclusively for indoor-use in combination with the RS-190. It also features handset conversation with the RS-190.

2. SPECIFICATIONS

[RS-190]

Rated Input	1 W
Rated Impedance	500 Ω
Internal Speaker	4 cm cone-type
Control Output	Open collector output: 24 V DC, 30 mA (The open collector output is kept turned on till the conversation is finished after the call button was pressed.)
Operating Temperature	-10 to +50°C (Temperature range not to freeze the speaker and switch)
Finish	Panel: Stainless steel (SUS304), hairline Call switch button: Resin
Dimensions	120 (w) x 120 (h) x 58.5 (d) mm
Weight	465 g

Note: The design and specifications are subject to change without notice for improvement.

• Accessories

Oval head combination screw M4 x 25 4 Oval head slotted screw UNC No.6 x 18 4

[RS-191]

Handset Receiver	Dynamic type
Handset Transmitter	Electret condenser type
Operating Temperature	0 to +40°C (Temperature range not to freeze the speaker and switch)
Finish	ABS resin, pale white
Dimensions	116 (w) x 220 (h) x 70 (d) mm
Weight	330 g

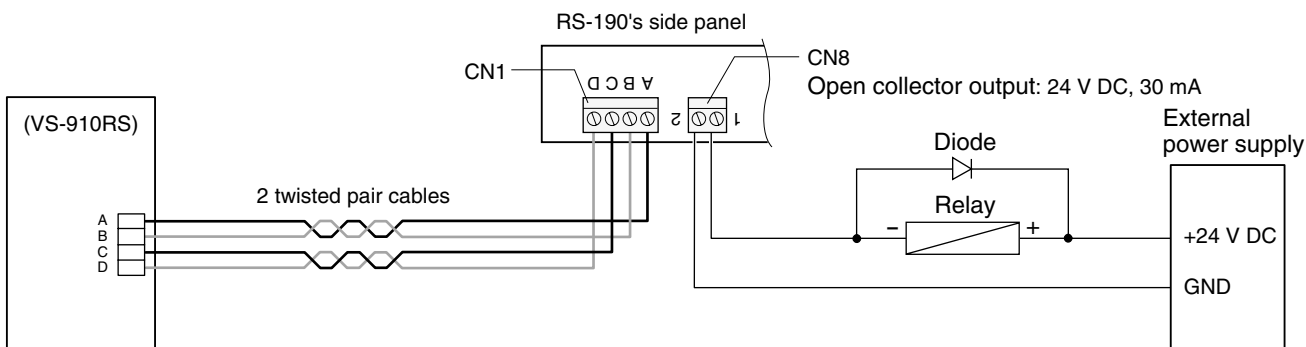
Note: The design and specifications are subject to change without notice for improvement.

• Accessories

Oval head combination screw M4 x 25 4 Oval head slotted screw UNC No.6 x 18 4

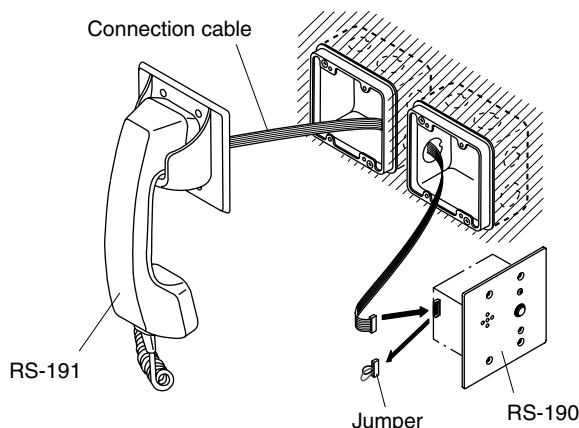
3. CONNECTION

3.1. External relay device, RS-190, and VS-910RS connection



3.2. RS-190 and RS-191 connection

Plug out the jumper from the connector on the RS-190's side panel, then plug the RS-191's connection cable instead.



3. WALL MOUNTING

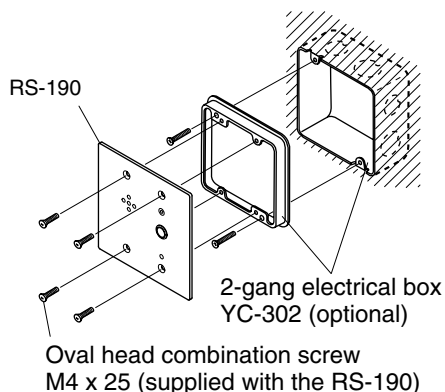
Mount the RS-190 and the RS-191 to electrical boxes mounted in the wall.

Note: The wall should be over 12 mm thick, and the opening in the wall for an electrical box should be under 120 mm by 120 mm.

[RS-190]

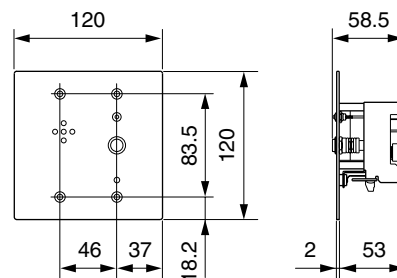
Accessory screws

The RS-190 and RS-191 come with 2 types of screws: oval head combination screw M4 x 25 and oval head slotted screw UNC No.6 x 18. For the electrical box provided with unified threads, use the oval head slotted screws UNC No.6 x 18.



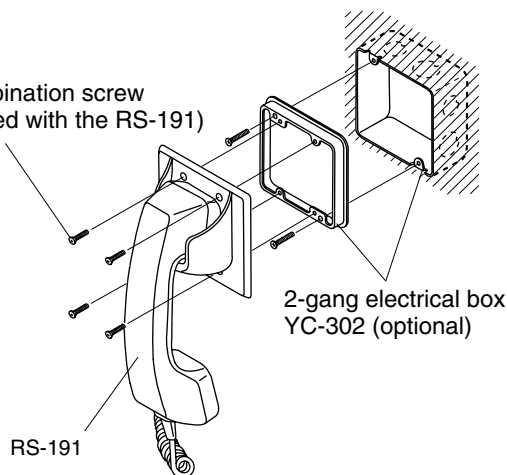
[Dimensional diagram]

Unit: mm



[RS-191]

Oval head combination screw M4 x 25 (supplied with the RS-191)



[Dimensional diagram]

Unit: mm

