

SPRING CATCH TYPE CEILING SPEAKERS



DESCRIPTION

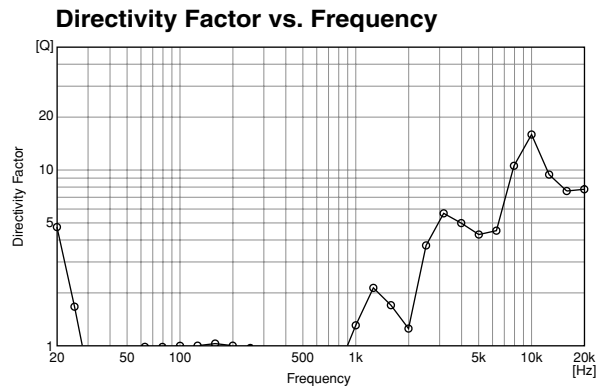
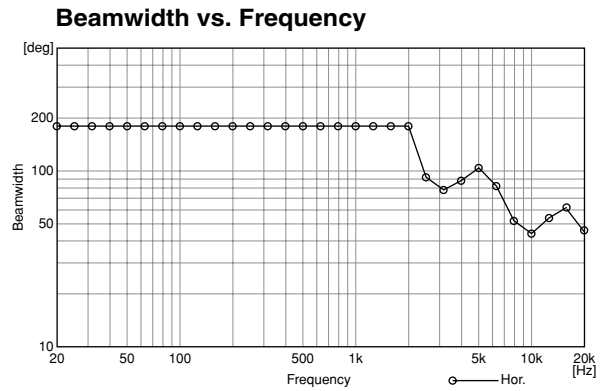
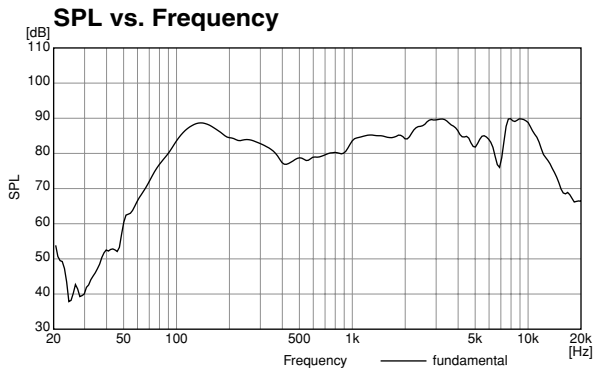
TOA's PC-1800 Series Flush-Mounted Ceiling Speakers employ a dynamic, full-range 12cm speaker and push-in connectors that facilitate impedance switching, as well as branch and bridge wiring. A wide 100 – 16,000 frequency range provides clear announcements and soft background music output. Three different types of front grille are available for easy matching with virtually any decor.

FEATURES

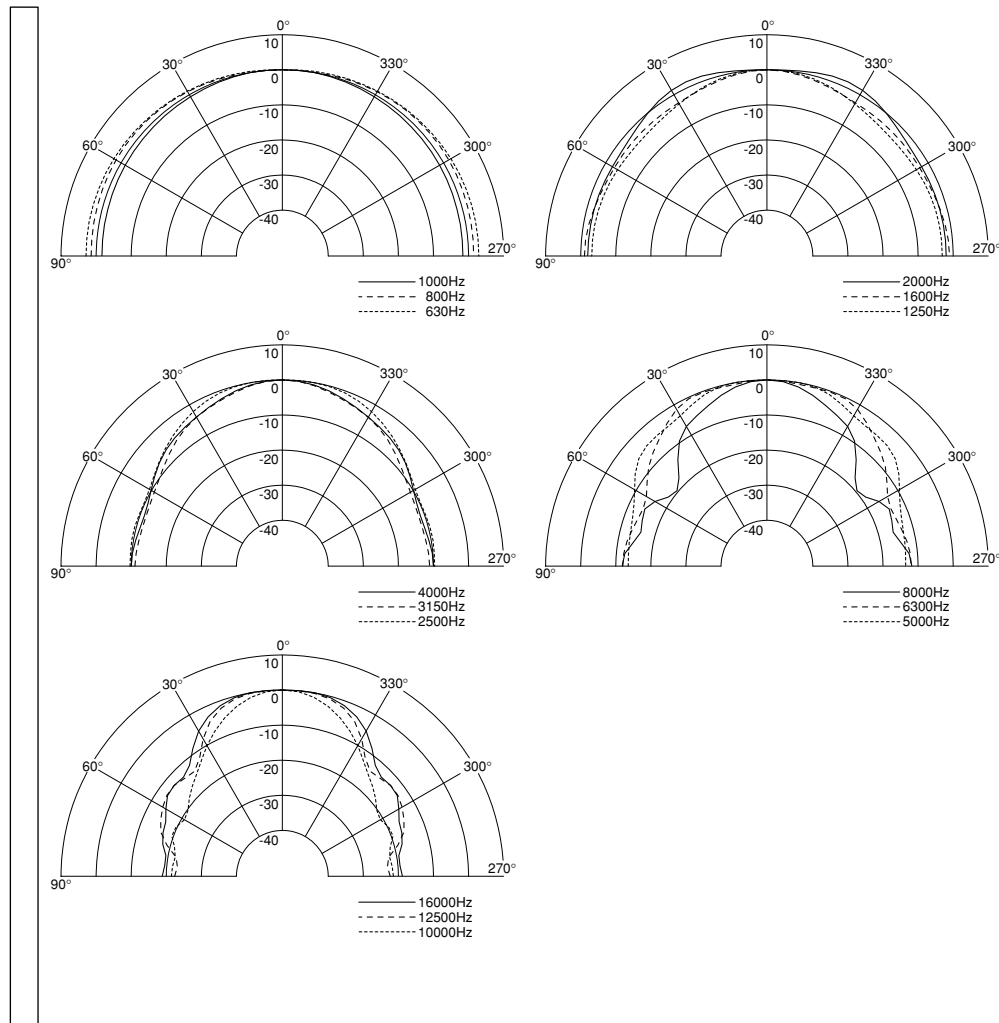
- Flush-mount ceiling type.
- Spring catch system increases installation efficiency.
- Built-in full-range 12cm speaker.
- Rated input: 6W (100V line) or 3W (70V line).
- Push-in terminal connectors simplify wiring and impedance switching (0.8W, 1.5W, 3W and 6W/ 100V line).
- Wide 100 - 16,000Hz frequency range characteristics.
- Three front grilles available:
 1. Round, ABS resin frame + aluminum net (PC-1863)
 2. Round, ABS resin panel (PC-1864)
 3. Round, aluminum frame + aluminum net (PC-1867)

PC-1800 Series

CHARACTERISTIC DIAGRAMS



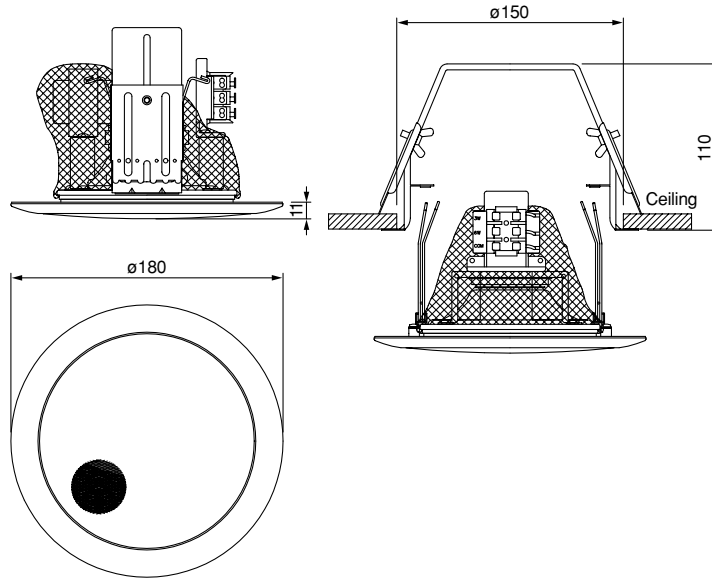
Polar Response



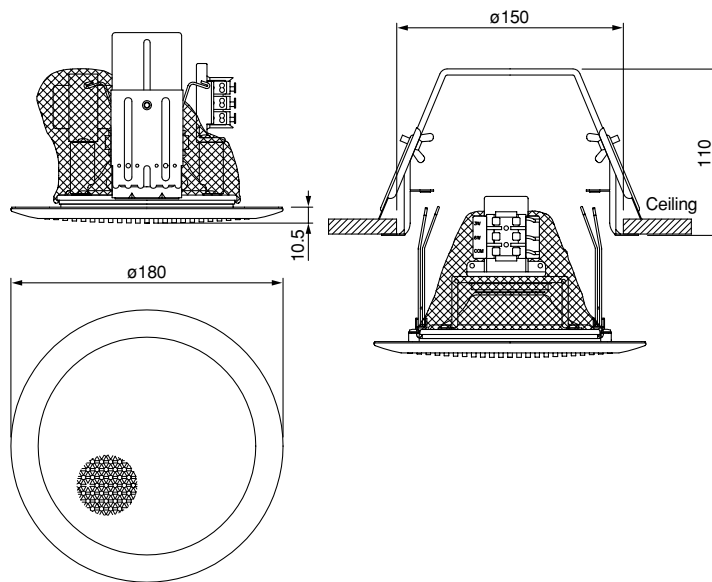
APPEARANCE AND DIMENSIONAL DIAGRAM

Unit: mm

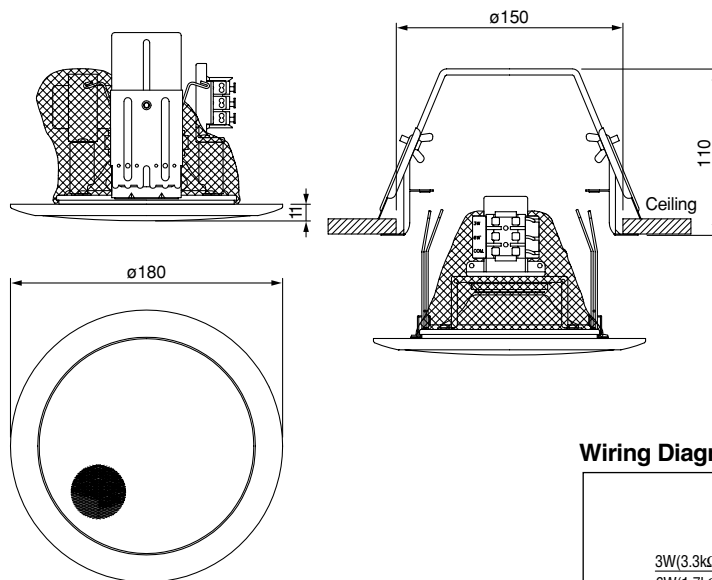
PC-1863



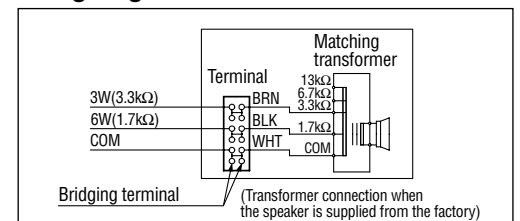
PC-1864



PC-1867



Wiring Diagram



Note: Use transformer terminals when changing input impedance.

SPECIFICATIONS

	PC-1863	PC-1864	PC-1867
Rated Input	6 W (for 100 V Line), 3 W (for 70 V Line)		
Rated Impedance	100 V line: 1.7 k Ω (6 W), 3.3 k Ω (3 W), [6.7 k Ω (1.5 W), 13 k Ω (0.8 W): Internal wiring must be changed] 70 V line: 1.7 k Ω (3 W), 3.3 k Ω (1.5 W), [6.7 k Ω (0.8 W), 13 k Ω (0.4 W): Internal wiring must be changed]		
Sensitivity	90 dB (1 m, 1 W, 330 – 3,300 Hz Pink noise)		
Frequency Response	100 – 16,000 Hz		
Speaker Component	12 cm dynamic cone-type speaker		
Dimensions for Fixing Hole	ϕ 150 (mounting hole) x 50 (maximum ceiling thickness) mm		
Speaker Mounting Method	Spring catch		
Applicable Cables	600 V Vinyl-insulated cable (IV wire or HIV wire) Solid copper wire: ϕ 0.8 – ϕ 1.2 mm 7-core twisted copper wire: 0.75 – 1.25 mm ²		
Connection	Push-in connector (Bridging terminal-2 branch type)		
Finish	ABS resin frame, aluminum net, off-white (RAL 9010 or equivalent color)	ABS resin panel, off-white (RAL 9010 or equivalent color)	ABS resin frame, aluminum net, off-white (RAL 9010 or equivalent color)
Dimensions	ϕ 180 x 11 (D)* mm + 110 (D) mm	ϕ 180 x 10.5 (D)* mm + 110 (D) mm	ϕ 180 x 11 (D)* mm + 110 (D) mm
Weight	740 g (bracket included)	690 g (bracket included)	740 g (bracket included)

*Exposed section

Note: Do not use the speaker with heat insulating material sound absorbing material mounted.
Ensure that the speaker is kept away from the heat insulating material.

OPTIONS

		<p>YS-270 Protection Cover Protects speaker internals (cone, transformer, connector and internal wiring) against possible damage.</p> <ul style="list-style-type: none"> • Dimension for fixing hole: ϕ150 mm • Weight: 140 g • Finish: Cover, Heat-resistant ABS-resin, Black 		<p>ATT-311 Attenuator Adjusts the sound output volume in 4 steps of operation. Its push-in terminal connectors facilitate branch and bridge wiring.</p> <ul style="list-style-type: none"> • Rated input: 3 W
--	---	--	---	---