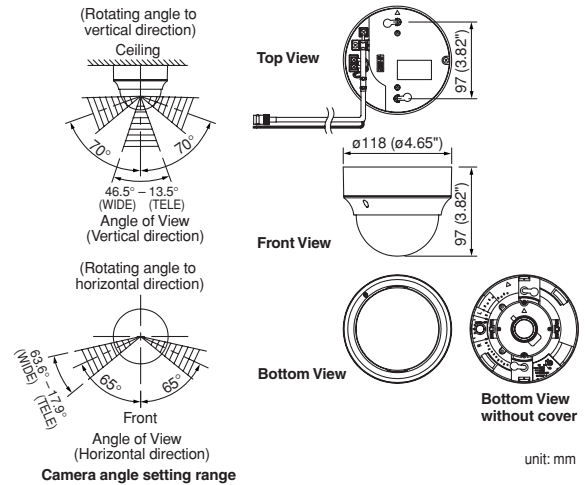


C-CV24-3 Color Dome Camera



APPEARANCE AND DIMENSIONAL DIAGRAM



DESCRIPTION

The C-CV24-3 is a high resolution color dome camera which can be operated on 24V AC or 12V DC power.

This camera is ideal for indoor installations, such as in retail stores, schools and offices. Its compact and unobtrusive design blends well with the interior decor.

The manual varifocal lens allows setting of a wide variety of horizontal viewing angles, from 63.6 degrees (wide angle) to 17.9 degrees (telescopic view), enabling more effective monitoring.

Because the camera has a built-in video output terminal with a BNC plug, camera installation and cable connection can be performed separately, which makes installation work easier.

FEATURES

■ High-performance CCDs

- C-CV24-3 incorporates a 1/4" CCD with a resolution of 380,000 pixels, resulting in a high horizontal resolution that exceeds 480 lines.

■ 4X varifocal lens

- To easily allow on-site adjustment of the viewing angle, each camera is fitted with a 4X varifocal lens that has an auto iris.

■ Wide-ranging view angles

- Optimal camera angle of view extends enhanced coverage over a wide range, for more effective monitoring.
- 63.6 – 17.9 degree horizontal viewing angle and a 46.5 – 13.5 degree vertical viewing angle

■ Flexible power requirements

- 24V AC or 12V DC operation

■ Backlight compensation

- To cope with varying lighting conditions, backlight compensation can be switched on or off as required.

■ Flicker-free for easier viewing

- The camera does not cause the image to deteriorate, as is often caused by fluorescent lighting. Annoying image flicker is eliminated for more effective monitoring.

■ Focus adjustment switch for easy focusing

- To simplify focusing even without using the ND filter*, an adjustment switch is provided for foolproof focusing.

■ Specifically designed for use in indoor applications

■ Monitor output jack

- Easy to access location just under the dome cover enables quick and simple on-site adjustment, thus saving labor

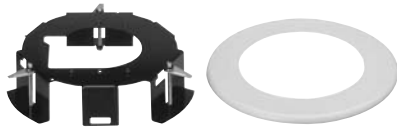
■ Easy installation thanks to the built-in pig tail

- The pigtail includes a composite video BNC-R jack, and power cable.



NTSC

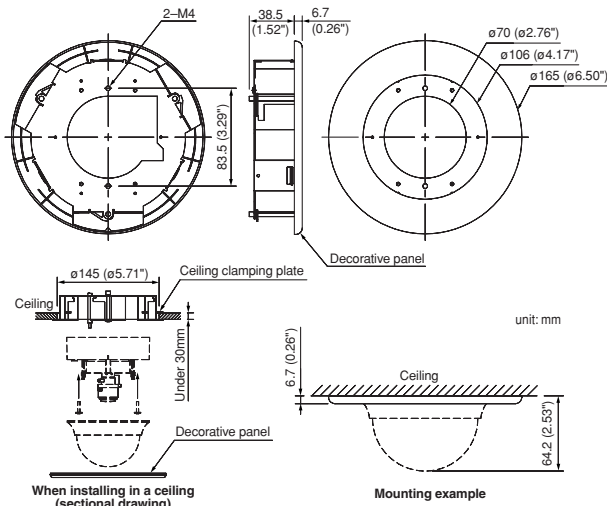
FLUSH CEILING MOUNT BRACKET



C-BC20U

The C-BC20U Bracket permits TOA's Dome Camera to be installed in a ceiling with only dome cover of the Dome Camera exposed. The unit also permits the Dome Camera to be installed in a location where the Dome Camera cannot be mounted in a ceiling with screw due to brittle ceiling materials.

Mountable Board	Under 30mm in thickness
Finish	Decorative panel: ABS resin light gray Mounting bracket: Steel plate, black, paint
Mounting Hole	ø145mm (ø5.71")
Dimensions	ø165 × 45.2mm (ø6.50" × 1.78")
Weight	170g (0.37 lb)
Accessory	Camera mounting screw: Binding head screw M4 × 15 × 2, Decorative panel × 1
Applicable Camera (option)	C-CV24-2, C-CV24-3



ARCHITECTURAL AND ENGINEERING SPECIFICATIONS

GENERAL REQUIREMENTS

The product specified shall be a surface mounted indoor color dome camera system designed for indoor surveillance applications. The camera system shall consist of a high resolution CCD camera using a 1/4-inch type CCD images with a 4X manual varifocal lens with auto iris.

Backlight compensation can be switched ON or OFF as required. 3-axis camera pointing allows adjustment of the horizontal, vertical and picture tilting rotation.

Focus adjustment switch is provided to allow the installer to easily perform focus adjustments without using an ND (Neutral Density) filter.

Monitor output provides a convenient monitor connection for installer to align the camera.

Easy adjustment of dome inner cover.

PRODUCT SPECIFICATIONS

CAMERA

Image device: 1/4" type IT-CCD

Resolution: Horizontal: 480 lines (at center), Vertical: 350 lines (at center)

Number of effective pixels: 768 (H) × 494 (V) (380,000 pixels)

Scanning system: 2:1 interlace

Scanning frequency: Horizontal: 15.734 kHz, Vertical: 59.94 Hz

Signal to noise ratio: 48dB

Minimum required illumination: 3 lx (50 IRE)

Shutter speed: 1/60, 1/100

Backlight compensation: ON/OFF

White balance: ATW

LENS

Focal length: $f = 3.3 \text{ mm} - 12.0 \text{ mm}$

Maximum aperture ratio: 1:1.4 - 2.9

Iris: Automatic iris

Angle of view: 63.6° - 17.9° (H), 46.5° - 13.5° (V)

ELECTRICAL SPECIFICATIONS

Power source: 24V AC 50/60 Hz or 12V DC

Power consumption: 2W

Video output: VBS 1.0V (p-p), 75Ω, BNC-R jack

Installer monitor output: VBS 1.0V (p-p), 75Ω, RCA pin jack

MECHANICAL SPECIFICATIONS

Dimensions: ø118 × 97 (H) mm (ø4.65" × 3.82")

Weight: 370 g (0.82 lb.)

Case finish: ABS resin, light gray, Dome cover: Acrylic resin

Mounting: Surface mounting, Mounting holes fit a US standard 1-gang electrical box or optional flush-ceiling mount bracket.

ENVIRONMENTAL SPECIFICATIONS

Operating temperature: -10° C to +50° C (14° F to 122° F)

Operating humidity: Under 90% RH (no dew condensation produced)

CERTIFICATIONS AND RATINGS

This device complies with part 15 of FCC rules (class B equipment).

Safety: cULus (UL2044)

The indoor color dome camera shall be TOA model C-CV24-3.

The flush ceiling mount bracket shall be TOA model C-BC20U.

SPECIFICATIONS (NTSC)

Power Source	24V AC, 50/60Hz or 12V DC
Power Consumption	2W (maximum current:800 mA)
Image Device	1/4 type IT-CCD
Number of Effective Pixels	768 (H) × 494 (V) (380,000 pixels)
Scanning System	2:1 interlace
Scanning Frequency	Horizontal: 15.734kHz, Vertical: 59.94Hz
Monitor Output	VBS 1.0V (p-p) 75Ω, RCA pin jack
Video Output	VBS 1.0V (p-p) 75Ω, BNC-R jack
Synchronizing System	Internal synchronization
Resolution (at center)	Horizontal: 480 lines, Vertical: 350 lines
S/N Ratio	48dB
Minimum Illumination	3 lx (50 IRE)
White Balance Mode	ATW
Focal Length	$f = 3.3 \text{ mm} - 12.0 \text{ mm}$
Maximum Aperture Ratio	1:1.4 - 2.9
Iris	Auto-iris
Angle of View	Horizontal: 63.6° - 17.9°, Vertical: 46.5° - 13.5°
Control Switch	ON/OFF (used for focus adjustment)
Other Function	Backlight compensation, Shutter speed (1/60, 1/100), Iris control
Operating Temperature	-10° C to +50° C (14° F to 122° F)
Operating Humidity	Under 90% RH (no condensation)
Applications	Indoor use
Finish	Case: ABS resin, light gray Dome cover: Acrylic resin
Dimensions	ø118 × 97 (H)mm (ø4.65" × 3.82")
Weight	370g (0.82 lb)
Option	Flush ceiling mount bracket: C-BC20U