

# TAMRON

## Powerful, Fast & Compact



5mm  $\nabla$  53°



8mm  $\nabla$  33°



12mm  $\nabla$  24°



50mm  $\uparrow$  5.3°

## 1/3 5-50mm F/1.4

### ASPHERICAL VARI-FOCAL

#### Aspherical Optical Technology

Sharper image quality is made possible through Tamron's use of two Aspherical lens elements that enhance overall performance by eliminating image distortion and providing superb corner to corner sharpness.

#### Powerful Focal Length Range

Tamron's 5-50mm Vari-focal offers a 10X magnification in an extremely compact & lightweight chassis. Just one lens can be used in a multiple of CCTV applications. At only 2.3" long, the 5-50mm is ideal for installation in outdoor camera housings where a telephoto angle of view is required by the user.

#### Fast F/1.4 Maximum Aperture

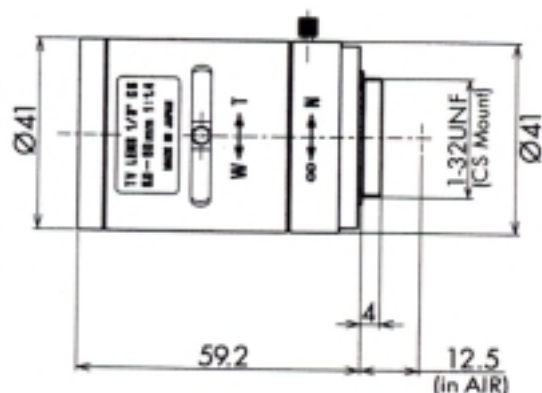
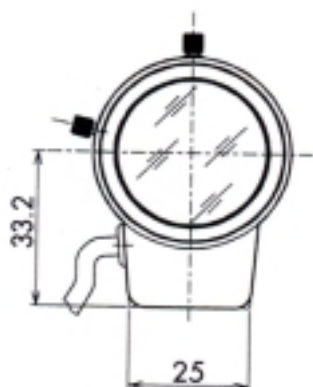
The 5-50mm provides a maximum aperture of F/1.4 and a 3-blade diaphragm that incorporates a Neutral Density (ND) filter design. Combine that with its small F/185 minimum aperture for a lens that is ideal for use in extreme lighting conditions.

#### Versatile Features

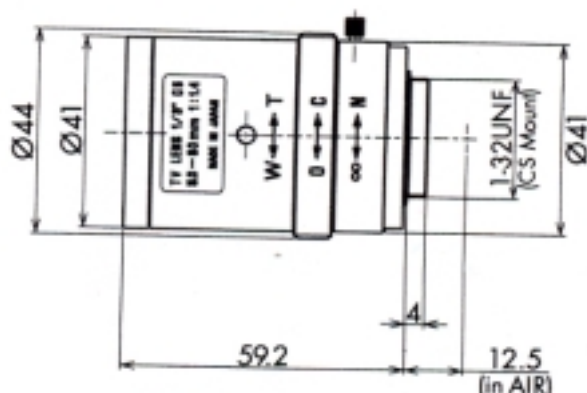
You can get Tamron's 1/3" CS-mount 5-50mm lens in Manual Iris, DC-Iris, and Video Iris versions to meet all of your application needs. Installation is easy with three locking mechanisms for zoom, focus and iris to ensure stable image quality.

# TAMRON

## Vari-Focal 1/3" 5-50mm F/1.4 Specifications



13VG550/13VA550  
1/3" 5-50mm 1:1.4 CS Mount  
DC Iris / Video Iris



13VM550  
1/3" 5-50mm 1:1.4 CS Mount  
Manual Iris

(Unit = mm)

	Manual Iris	DC Iris	Video Iris
Model #	13VM550	13VG550-SQ	13VA550-SQ
Image Format	1/3"	←	←
Focal Length	5.0-50mm	←	←
Iris Range	F/1.4-Close	F/1.4-185	F/1.4-185
Iris Operation	Manual w/Lock	Auto	Auto
Focus Operation	Manual w/Lock	←	←
Zoom Operation	Manual w/Lock	←	←
Angle of View			
Wide	53.4° x 40.1°	←	←
Tele	5.3° x 4.1°	←	←
Effective Diameter			
Front	Ø 29.5mm	←	←
Rear	Ø 9.0mm	←	←
Minimum Object Distance	23.0 in (0.7m)	←	←
Back Focus (in air)	10.05mm	←	←
Maximum Diameter	Ø1.7 in (Ø 43mm)	←	←
Overall Length	2.3in (59.2mm)	←	←
Mount	CS	←	←
Weight	3.0oz. (85g)	3.4oz. (97g)	3.6oz. (102g)