
TOA SPEAKER SYSTEM

DESIGNER SPEAKER

F-5



DESCRIPTION

The TOA F-5 is a full-range bass-reflex type speaker design that provides full range music reproduction in a compact size. The F-5 has a 4" (10 cm) speaker with a 10-watt power handling capacity. It can be easily mounted on a wall or ceiling with an optional mounting bracket. Push terminals are provided on the rear panel for constant voltage distribution systems. By changing the internal wire connection, the speaker can also be usable for low impedance (8 ohms) applications.

FEATURES

1. Acoustically efficient polypropylene enclosure with excellent sound reproduction characteristics.
2. 4" (10 cm) cone speaker unit.
3. Full range music reproduction and high power capacity (10 watts RMS with matching transformer).
4. Extended frequency response.
5. Easily mounted in various locations with optional YF-5 mounting bracket.
6. Wall mounting without external mounting kit.
7. Push type connectors.

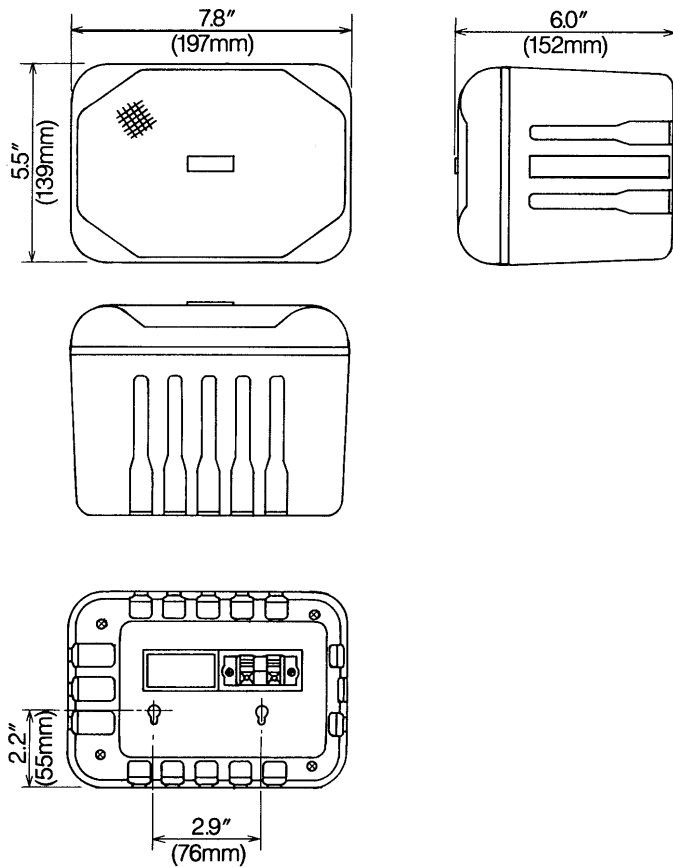
SPECIFICATIONS

Enclosure	Vented (Bass-reflex) type
Rated Input Power	10 watts
Nominal Impedance	1k ohms (10 watts), 2k ohms (5 watts), (100V line version) 490 ohms (10 watts), 980 ohms (5 watts), (70V line version)
Output Sound Pressure Level	88 dB (1 W/1m)
Frequency Response	100 Hz to 18 kHz
Speaker	4" (10 cm) dynamic cone
Ambient Temperature	-20°C to +55°C

Enclosure Materials	Polypropylene
Color	Black
Dimensions	7.76 (W) x 5.43 (H) x 5.98 (D) inches 197 (W) x 138 (H) x 152 (D) mm
Weight	3.5 lbs (1.6 kg)
When not using matching transformer	
Power Handling Capacity	10 watts (continuous pink noise) 30 watts (continuous program)
Impedance	8 ohms

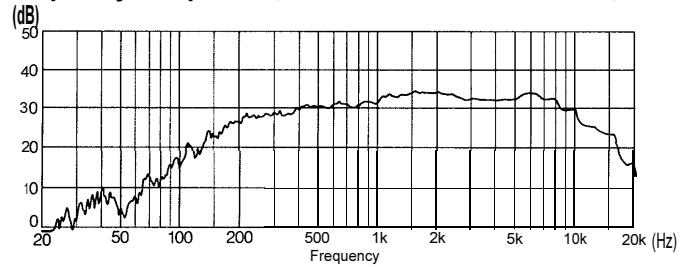
*Specifications are subject to change without notice

APPEARANCE AND DIMENSIONAL DIAGRAM



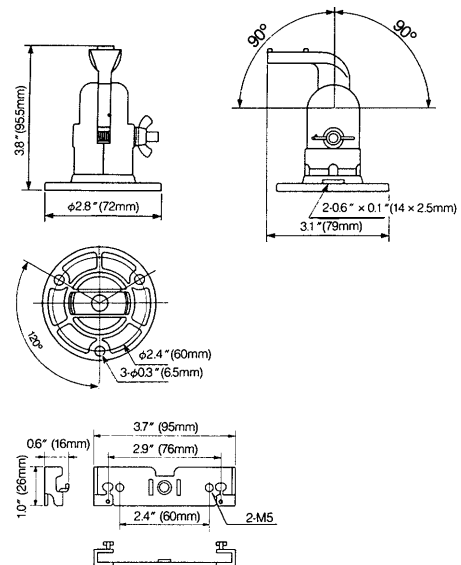
CHARACTERISTIC DIAGRAM

Frequency Response (1W/1m: 1/3 Octave Pink Noise)



OPTION

YF-5 Wall/Ceiling Mounting Bracket



TOA Corporation