

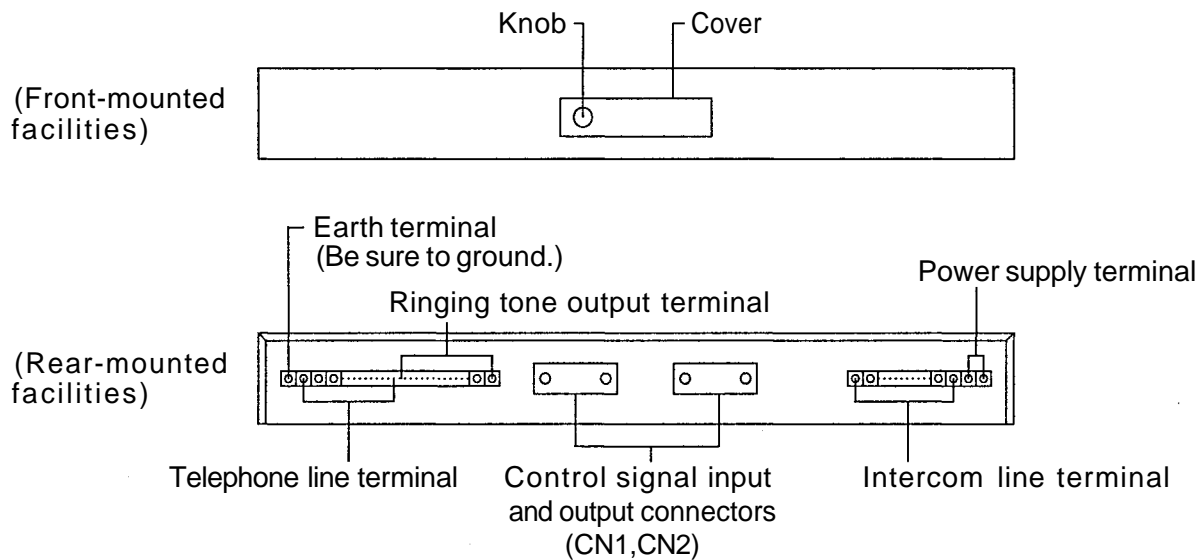
# TOA Telephone line interface

## CB-600

### General description

The CB -600 adds to the versatility of the EX-610/620/630 exchanges by offering the function of making or receiving a telephone call. The device is directly connected to either the telephone line or to the PBX extension.

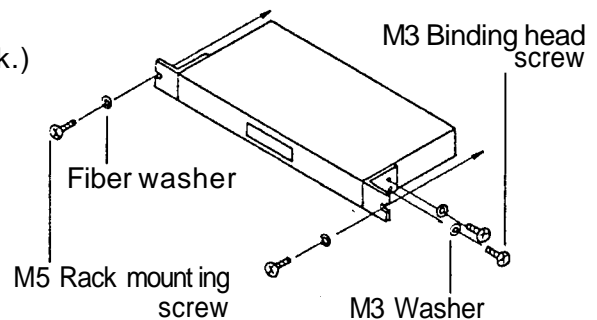
### Part names



### Fixing unit

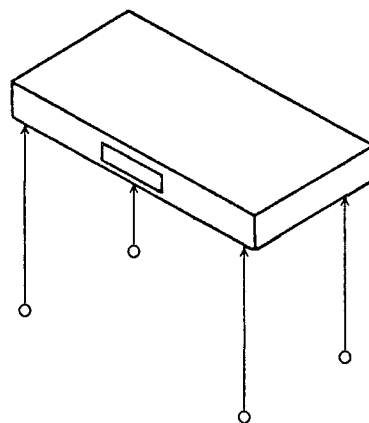
1. Mounting unit in an equipment rack.  
(Exchange is mounted in an equipment rack.)

Attach the accessory rack mounting brackets to the CB-600 to mount it in the rack. (See the figure.)



2. Desk-top application

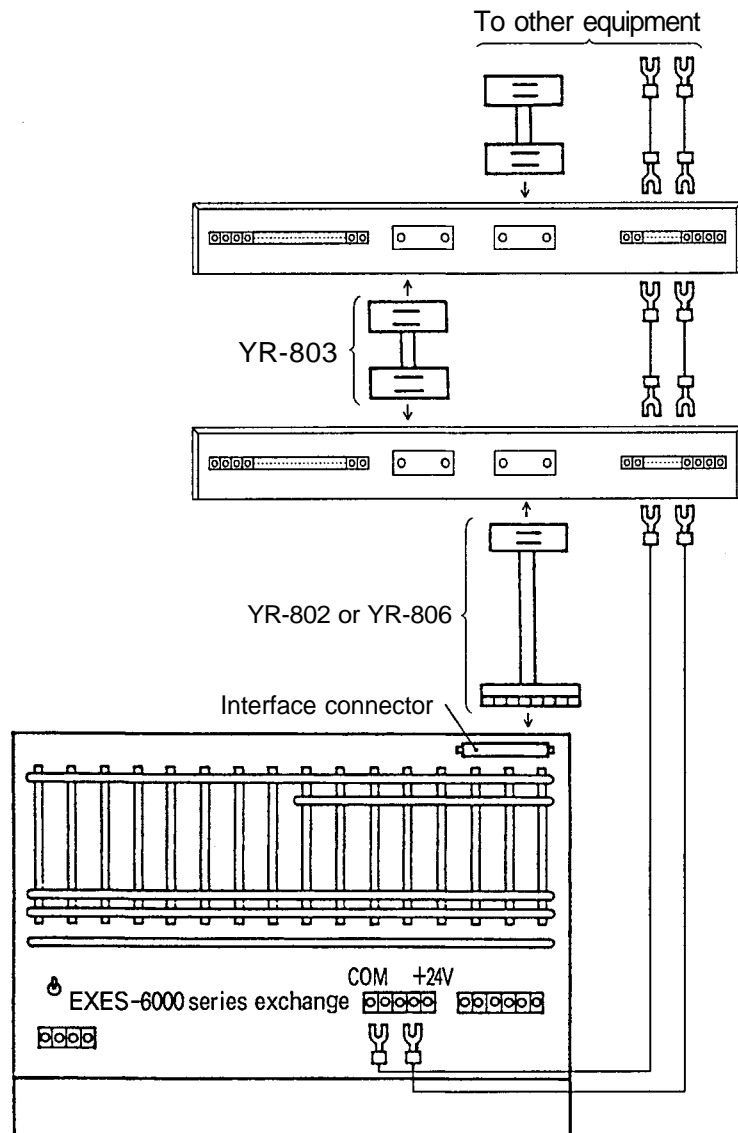
Attach the accessory rubber foot to each of 4 holes (3mm in diameter) in the bottom surface.



## ■ Connection

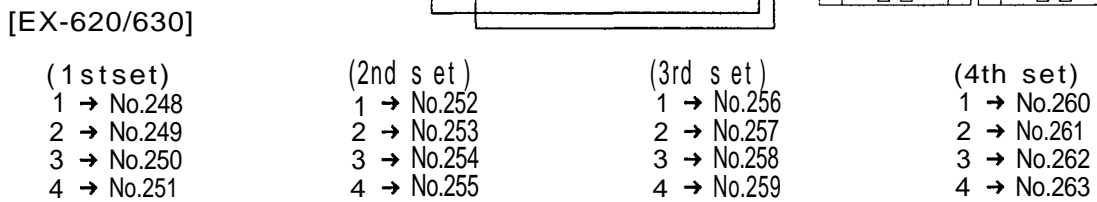
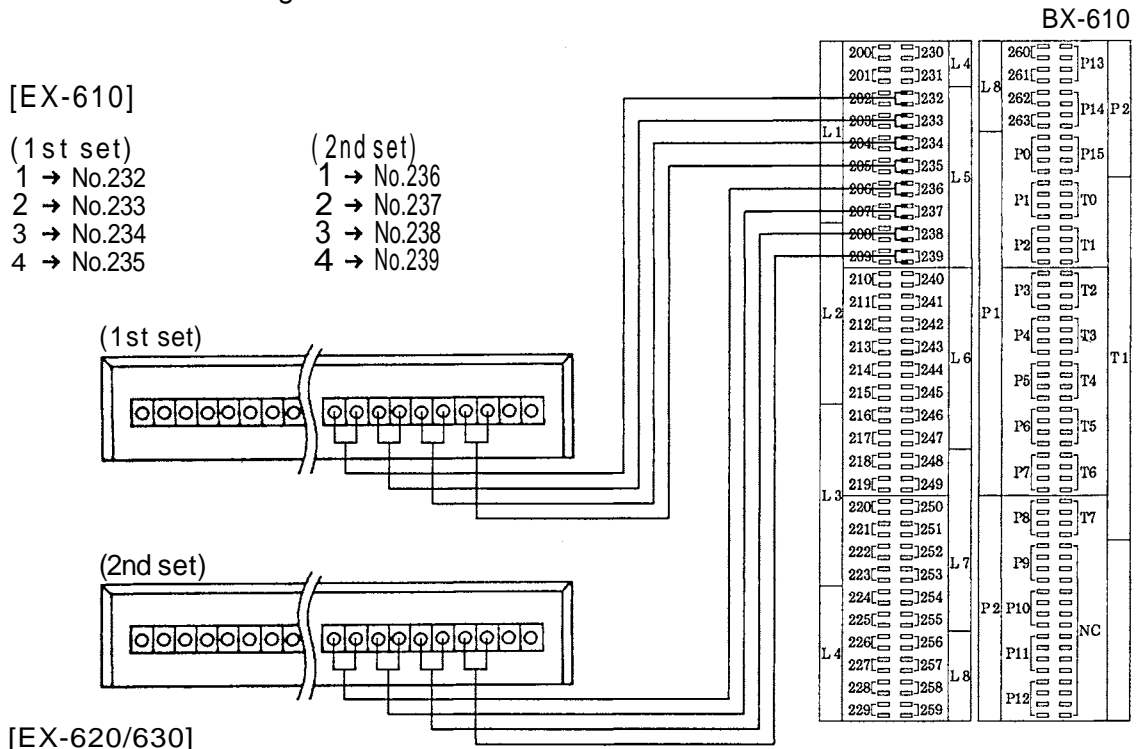
### 1 . Connecting the control signal input and output connectors and the power supply.

- Use the YR-806 cable (1m in length) for connection between the device and the exchange.  
Use the YR-802 cable (40cm) when the unit is placed on the EX-610 or EX-620 exchange.
- Use the YR-803 cable when additional units are employed.
- Both the CN1 and CN2 connectors are internally connected in parallel. Use either of the two.

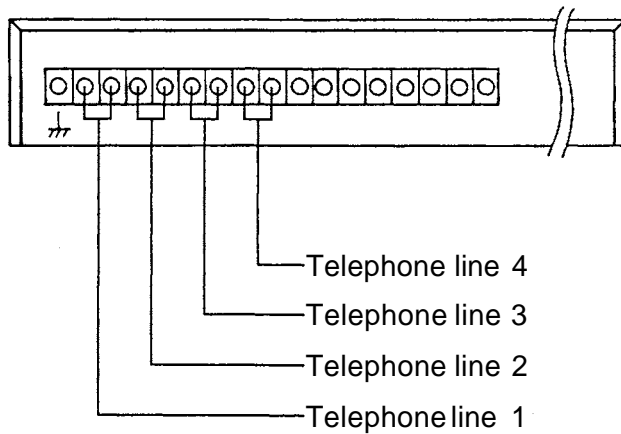


## 2. Connecting intercom lines

- Connect between the intercom line terminals and the terminal box using twisted paired cables. See the figure below.



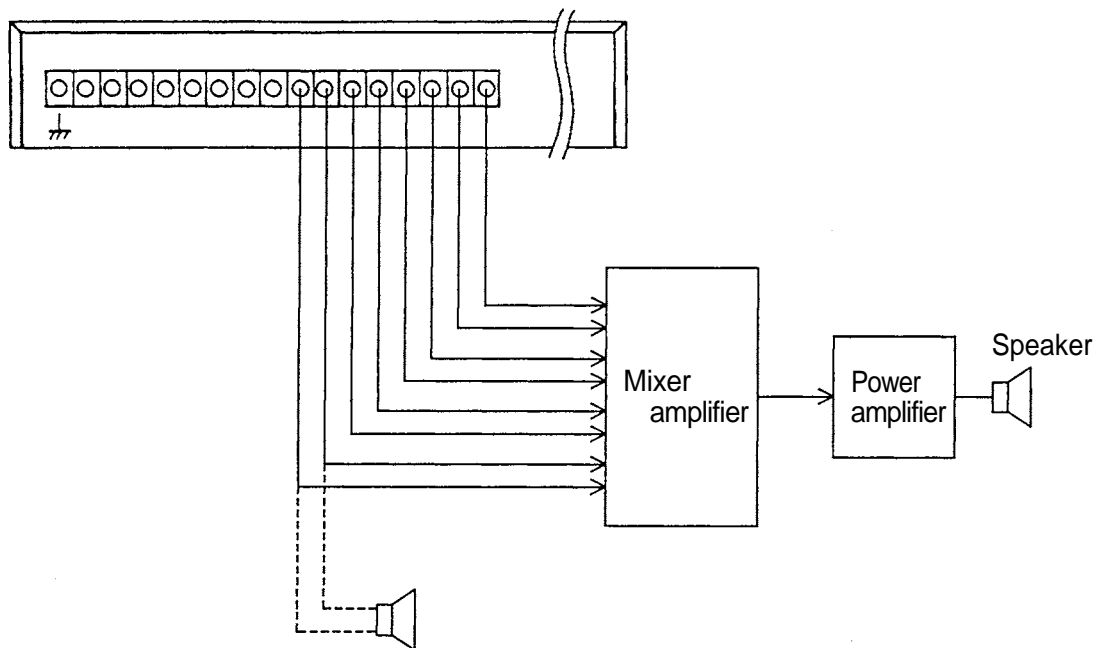
### 3 . Telephone line connections



### 4 . Terminal connection for ringing tone output

Make connections as shown in the figure below when sounding the ringing tone through an external speaker.

(This connection is not required when sounding the ringing tone through a station speaker.)



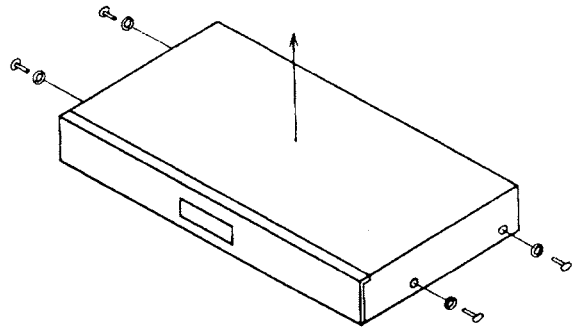
It is also possible to directly connect a high-impedance speaker to these terminals when a high sound volume is not required.

## Signal setting

The CB-600 permits independent signal setting per telephone line. Follow the procedures below to select and set the desired signal mode. It is preset for DP signal of 10 pps and for make ratio of 33 percent when supplied from the factory. (Perform the signal mode setting before the

final installation or wiring work because the setting requires the removal of the top cover.)

1 . Remove side plate screws(four places).

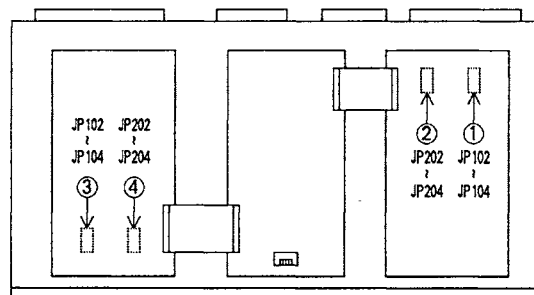


2. Detach the top cover.

3 . Set the jumper wires according to the table below.

State of jumper wire	Dial speed JP102/JP202	Signal type JP103/JP203	Make ratio JP104/JP204
Connected	10pps	PB(DTMF)	40%
Disconnected	20pps	DP	33%

(Jumper wire position)

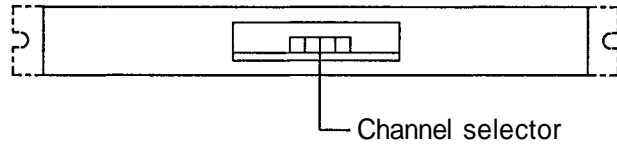


Jumper wire numbers  
①~④ correspond to the  
respective telephone line  
numbers.

(Front)

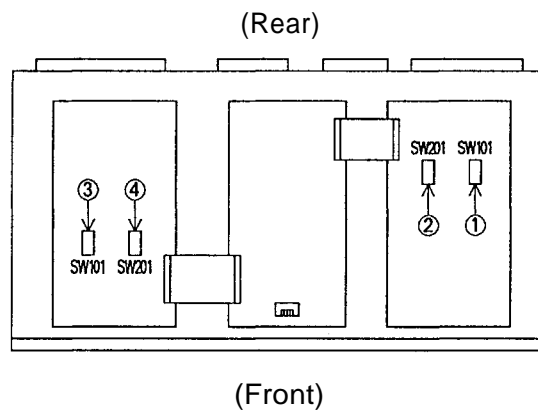
## Channel selector setting

Pull the front-mounted release knob towards you and remove the cover, and the channel selector can be seen. Set the switch as shown in the figure below.



## Adjusting receiving sound volume

The receiving sound volume can be adjusted in 3dB step by switching SW101 and SW201 shown in the figure below.

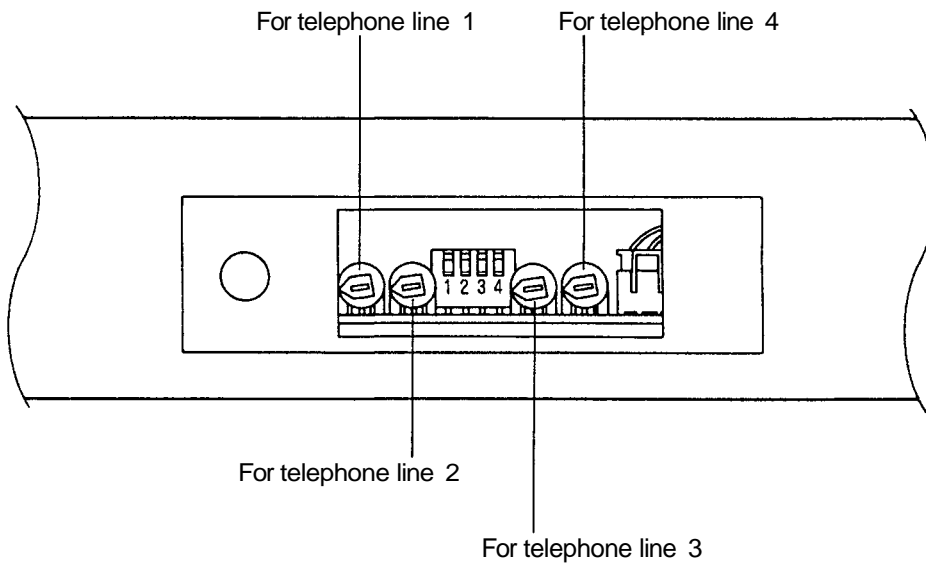


The numbers ①~④ indicate the corresponding circuit numbers.

## Adjusting receiving sound volume

The receiving sound volume can be adjusted each telephone line by the semi-fixed volume controls provided at both sides of the channel selector. When the receiving sound volume is decreased by the line loss etc., adjust the semi-fixed volume controls by a flat tip screwdriver so as to obtain optimum sound volume. The telephone line numbers to be used correspond to the speech link numbers as shown the table below.

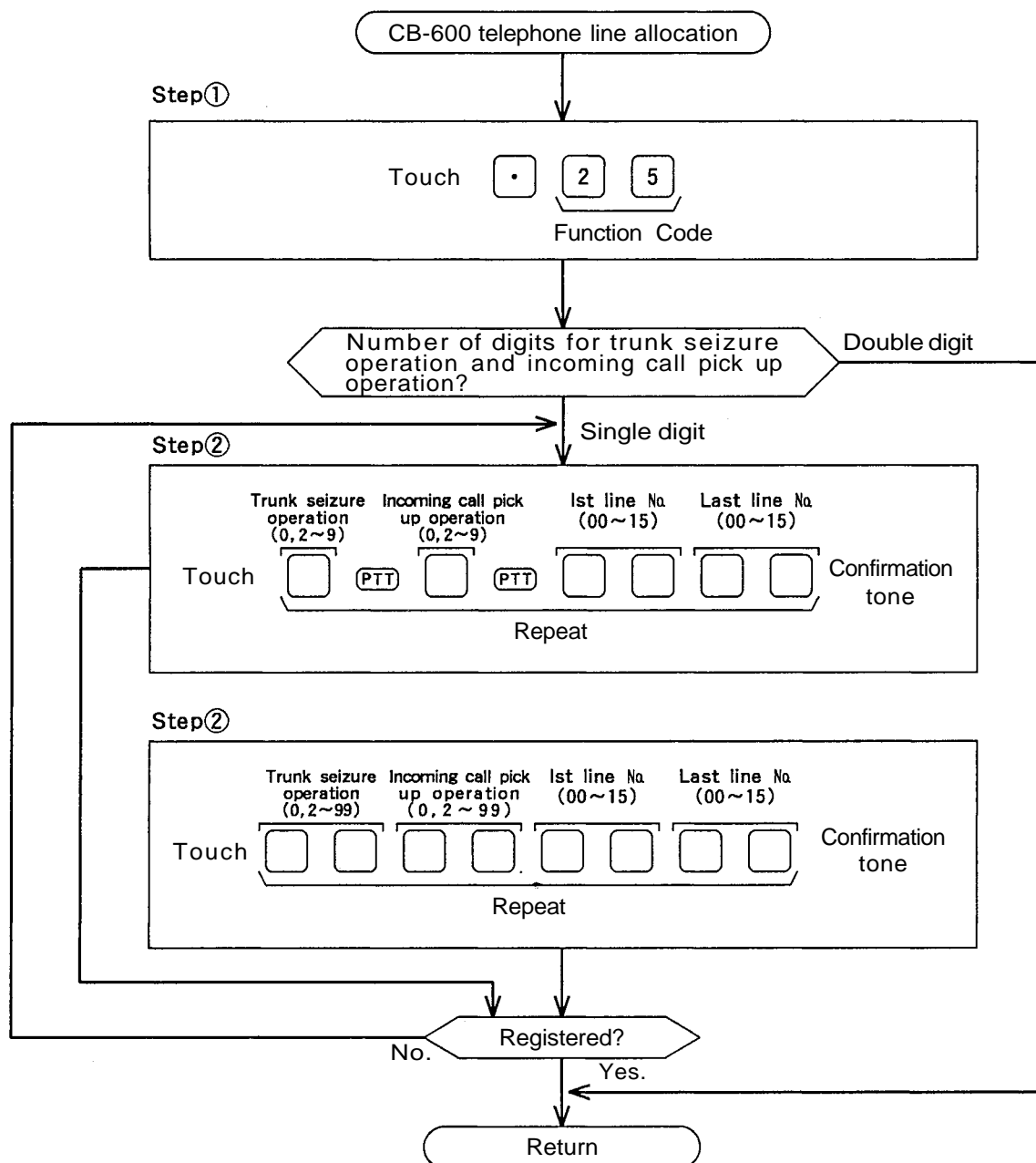
Telephone line No.	1st set				2nd set				3rd set				4th set			
	1	2	3	4	1	2	3	4	1	2	3	4	1	2	3	4
Speechlink No.	0	1	2	3	4	5	6	7	8	9	10	11	12	13	14	15



# Station No.200 programming

Perform the station No.200 programming with the following chart.  
For details, refer to "Installation Handbook of CP-66".

## <CB-600 Telephone line allocation> (FUNCTION CODE 25)



### NOTES

1. To clear registration on all rented lines.

Touch      .....   Confirmation tone will be heard.  
10 times

2. Re-start at Step 1 when mis-dialling occurs. (All other registrations remain valid.)

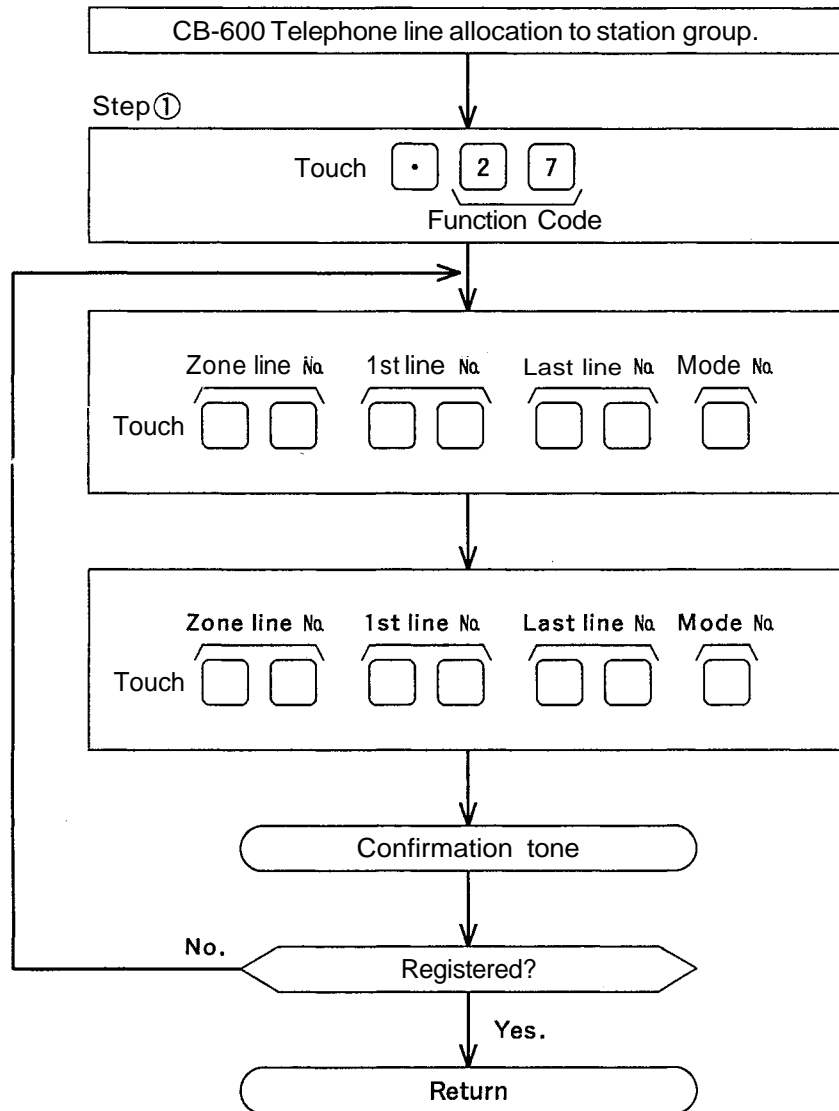
3. Telephone line No. :00~07 for EX-610

4. Line No. 0 is impossible to use when CB-600 is used in pager call.

5. If the station does not need to receive an incoming telephone call, the trunk seizure operation and incoming call pick up operation are identical.



<CB-600 Telephone line allocation to station group> (FUNCTION CODE 27)



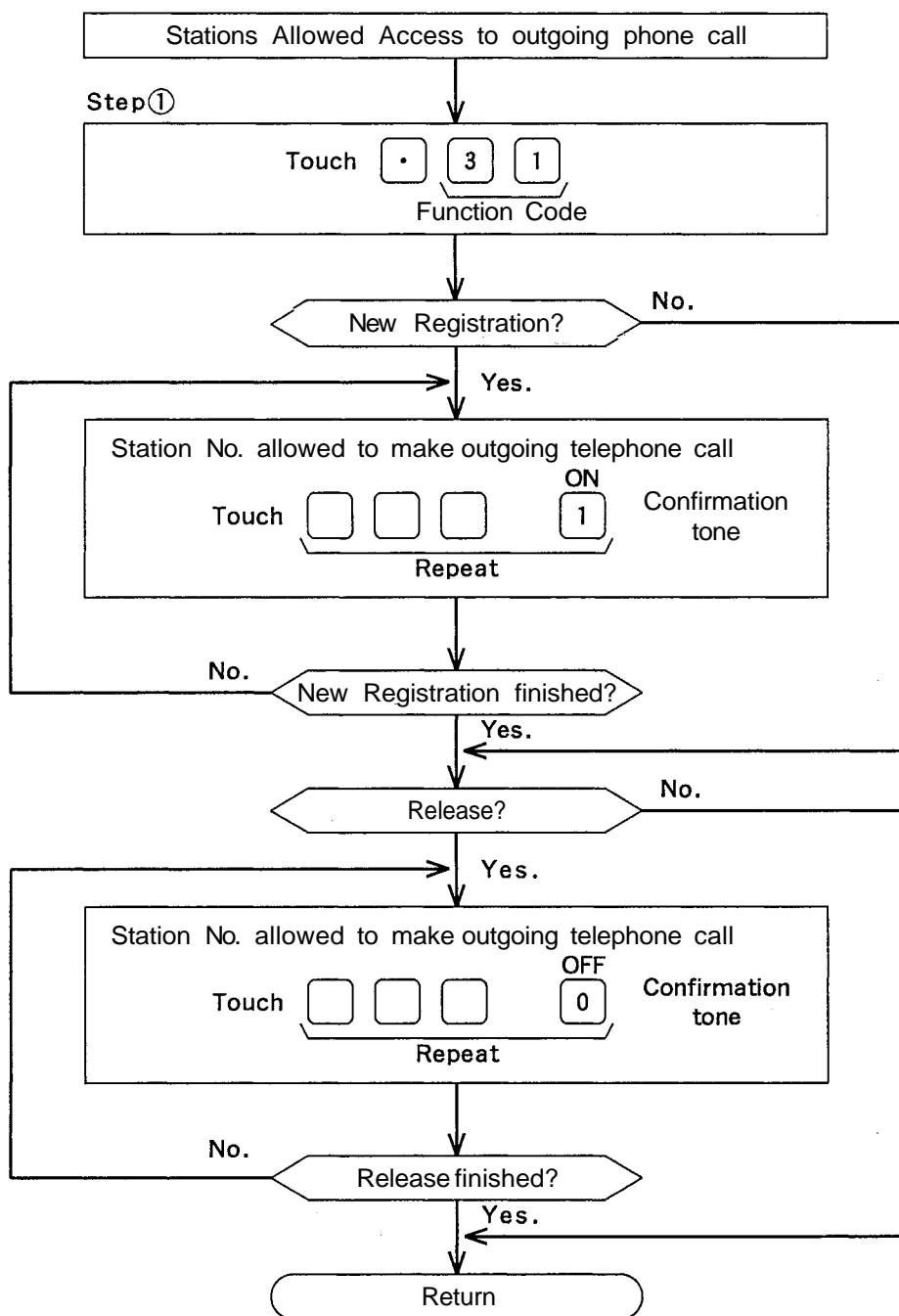
NOTES

1. To clear registrations on all telephone lines.

Touch [.] [2] [7] [0] [0] ..... [0] (Confirmation tone will be heard)  
10 times

2. Re-start at Step 1 when mis-dialling occurs. (All other registrations remain valid.)
3. Switch C-1 must be "ON" to employ this function.
4. Also dial 2 digits (01 to 07) to programme the system having paging zones 1 to 7.
5. Line No. 0 is impossible to use when CB-600 is used in pager call.
6. Zone numbers of each exchange in Tie-line system.
  - Exchange "A" ..... No.01~15
  - Exchange "B" ..... No.16~30
  - Exchange "C" ..... No.31~45
7. Telephone line No. 00 ~ 15 (00~07 for EX-610).
8. Mode No.
  - 0 : External ringer mode
  - 1 : Station paging pre-announcement tone mode

<Stations Allowed Access to incoming phone call> (FUNCTION CODE 31)



NOTES

1. To allow the stations to have this function,

Touch      .....  (Confirmation tone will be heard.)  
 10 times

Be sure to depress the  key steadily.

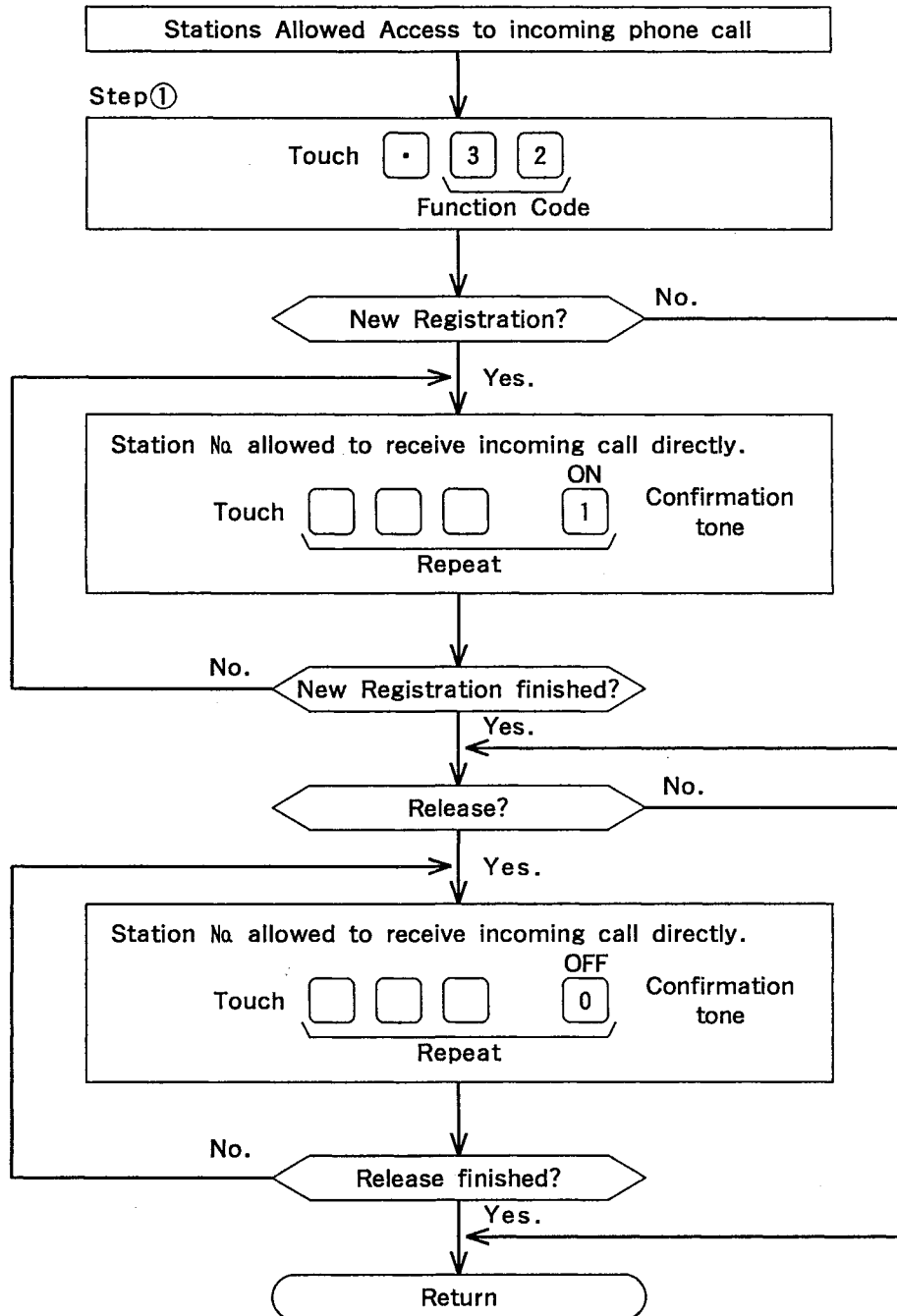
2. To release at one time the data programmed into all the stations for this function,

Touch      .....  (Confirmation tone will be heard.)  
 10 times

3. Re-start at Step 1 when mis-dialing occurs. (All other registrations remain valid.)

4. Dial 2 digits when programming the station for 2-digit dialling. Dial last 3 digits for station programming when 4-digit dialling is employed.

<Stations Allowed Access to incoming phone call> (FUNCTION CODE 32)



NOTES

1. To allow the stations to have this function,

Touch [.] [3] [2] [PTT] [PTT] ..... [PTT] (Confirmation tone will be heard.)  
 10 times

Be sure to depress the [PTT] key steadily.

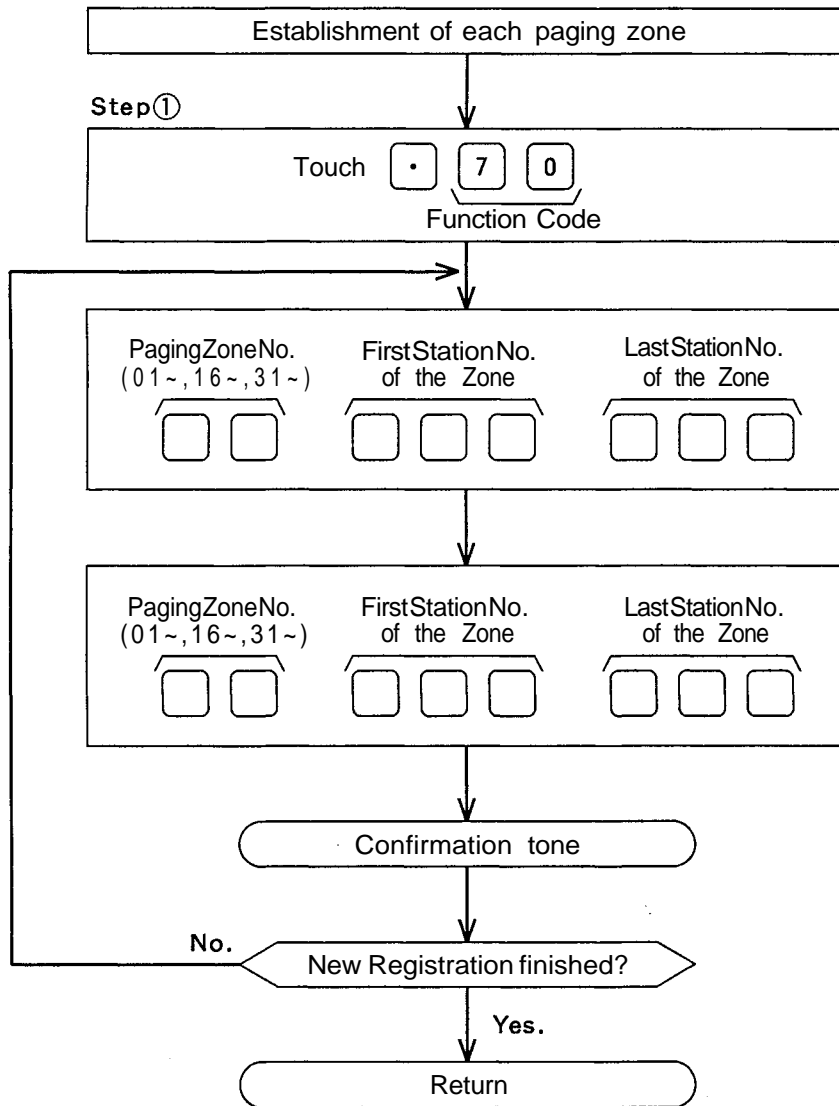
2. To release at one time the data programmed into all the stations for this function,

Touch [.] [3] [2] [0] [0] ..... [0] (Confirmation tone will be heard.)  
 10 times

3. Re-start at Step 1 when mis-dialing occurs. (All other registrations remain valid.)

4. Dial 2 digits when programming the station for 2-digit dialling. Dial last 3 digits for station programming when 4-digit dialling is employed.

<PAGING ZONE> (FUNCTION CODE 70)



NOTES

1. To release at one time the data programmed into all the Zones for this function,

Touch  .....  (Confirmation tone will be heard)  
10 times

2. Re-start at Step 1 when mis-dialling occurs. (All other registrations remain valid.)

3. Switch C-1 must be "ON" to employ this function.

4. Also dial 2 digits (01 to 07) to programme the system having paging zones 1 to 7.

Ex. Zone No.7 .....

5. When "Paging Response Without Zone Number" mode (, ) is selected by the DIP Switch SW-C-7, this registration is essential.

6. When "Paging Priority" function is adopted by the DIP Switch SW-C-3, this registration should be made for each Paging Zone of No.01 to No.31.

7. The programming is required for zones 01 to 31 when the telephone line interface is in use.

8. Zone numbers of each exchange in Tie-line system.

Exchange "A" ..... No.01~15

Exchange "B" ..... No.16~30

Exchange "C" ..... No.31~45

9. Dial 2 digits when programming the station for 2-digit dialling. Dial last 3 digits for station programming when 4-digit dialling is employed.

## ■ Specifications

Telephone line capacity	4 lines
Maximum number of units connectable in parallel	4(2 for EX-610)
Dial signal	DP (10/20pps changeable) PB (switchable per circuit)
Ringling tone output	+ 5dBm (600 $\Omega$ , unbalanced)
Power voltage	DC+24V (20V ~ 28V)
Current consumption	Maximum 100mA
Ambient temperture	0°C~40°C
Dimensions	432(W) x 44.5(H) x 292(D)mm
Weight	3.3kg

## ■ Accessories

Rack mounting bracket .....	2
Rack mounting screw (M5 x 12 tapping screw) .....	2
Fiber washer .....	2
Binding head screw (M3 x 6) .....	4
M3 washer .....	4
Rubber foot .....	4



**TOA Corporation**  
KOBE, JAPAN

133-06-161-5A